

## LABORATORY TAPS



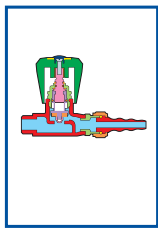
# **CARLOS ARBOLES S.A**

ООО «ТИ-СИСТЕМС» ИНЖИНИРИНГ И ПОСТАВКА ТЕХНОЛОГИЧЕСКОГО ОБОРУДОВАНИЯ

Интернет: [www.tisys.ru](http://www.tisys.ru) [www.tisys.kz](http://www.tisys.kz) [www.tisys.by](http://www.tisys.by) [www.tesec.ru](http://www.tesec.ru) [www.ти-системс.рф](http://www.ти-системс.рф)

Телефоны: +7 (495) 7774788, 7489626, 5007155, 54 Эл. почта: [info@tisys.ru](mailto:info@tisys.ru) [info@tisys.kz](mailto:info@tisys.kz) [info@tisys.by](mailto:info@tisys.by)

# INDEX



## TECHNICAL INFORMATION

	PAGES
PRESENTATION	1
TECHNICAL INFORMATION	2 - 3
DESIGN AND MANUFACTURING	4



## WATER CONTROLS

BENCH MOUNTED	5 - 7
WALL MOUNTED	8 - 10
PENDANT MOUNTED	10 - 11



## MIXER TAPS

BENCH MOUNTED	12
WALL MOUNTED	13



## MONOBLOC MIXERS

BENCH MOUNTED	14
---------------	----



## SPECIAL WATERS

STAINLESS STEEL	25
PLASTIC	26



## GAS CONTROLS

BENCH MOUNTED	19 - 20
WALL MOUNTED	15 - 17
PENDANT MOUNTED	17 - 18



## DRY SERVICE CONTROLS

	PAGES
BENCH MOUNTED	21
WALL MOUNTED	22 - 23
PENDANT MOUNTED	23 - 24



## FRONT CONTROLS

VALVES	27
OUTLETS	28 - 29



## LABORATORY SINKS

CERAMIC	30
---------	----



## ELECTRIC SOCKETS

BENCH MOUNTED	30
---------------	----



## ACCESSORIES

ACCESSORIES	31
SPARE PARTS	32



# CARLOS ARBOLES S.A

ООО «ТИ-СИСТЕМС» ИНЖИНИРИНГ И ПОСТАВКА ТЕХНОЛОГИЧЕСКОГО ОБОРУДОВАНИЯ

Интернет: [www.tisys.ru](http://www.tisys.ru) [www.tisys.kz](http://www.tisys.kz) [www.tisys.by](http://www.tisys.by) [www.tesec.ru](http://www.tesec.ru) [www.ти-системс.рф](http://www.ти-системс.рф)

Телефоны: +7 (495) 7774788, 7489626, 5007155, 54 Эл. почта: [info@tisys.ru](mailto:info@tisys.ru) [info@tisys.kz](mailto:info@tisys.kz) [info@tisys.by](mailto:info@tisys.by)

# CATALOGUE OF LABORATORY TAPS



Since 1929, Arboles manufactures tap fittings of diverse types and applications; we now specialise in two product lines:

- **EMERGENCY SHOWERS AND EYEWASHES**
- **TAP FITTINGS FOR LABORATORIES**

Carlos Arboles, S.A. is certified to ISO 9001, and all the products manufactured in the company are made under strict quality standards.

Since 1944 we have been supplying the international with a full range of Laboratory Taps.

In this catalogue we show our current models.



## CARLOS ARBOLES S.A

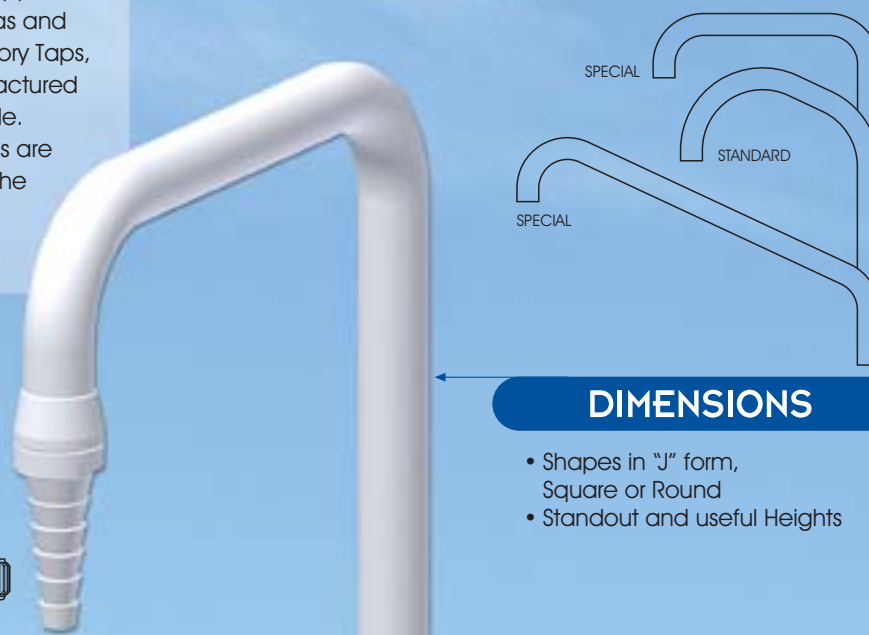
ООО «ТИ-СИСТЕМС» ИНЖИНИРИНГ И ПОСТАВКА ТЕХНОЛОГИЧЕСКОГО ОБОРУДОВАНИЯ

Интернет: [www.tisys.ru](http://www.tisys.ru) [www.tisys.kz](http://www.tisys.kz) [www.tisys.by](http://www.tisys.by) [www.tesec.ru](http://www.tesec.ru) [www.ти-системс.рф](http://www.ти-системс.рф)

Телефоны: +7 (495) 7774788, 7489626, 5007155, 54 Эл. почта: [info@tisys.ru](mailto:info@tisys.ru) [info@tisys.kz](mailto:info@tisys.kz) [info@tisys.by](mailto:info@tisys.by)

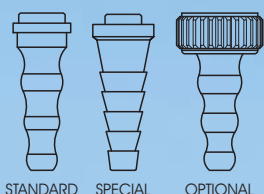
# TECHNICAL CHARACTERISTICS

Carlos Arboles, S.A. supplies full range of Water, Gas and Special water Laboratory Taps, designed and manufactured to be extremely reliable. Different configurations are available to achieve the flexibility required in every laboratory.



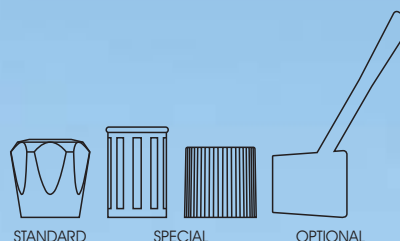
## DIMENSIONS

- Shapes in "J" form, Square or Round
- Standout and useful Heights



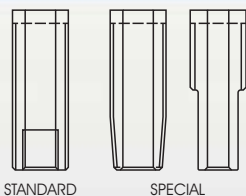
## NOZZLES

- Fixed or removable
- Different shapes
- Safety function
- Water efficient



## HANDLES

- Ergonomical shapes
- Various Designs
- Wrist action Lever



## INLET

- Female or Male Threads
- Parallel or Tapered
- Push fitting
- Antirotation

## ORDERING PROCESS

Before ordering please consider:

**STANDARD:** As coded in this catalogue

**OPTIONAL:** To be specified in the order, will include price supplement

**SPECIAL:** Requires minimum quantity and longer manufacturing time



# CARLOS ARBOLES S.A

ООО «ТИ-СИСТЕМС» ИНЖИНИРИНГ И ПОСТАВКА ТЕХНОЛОГИЧЕСКОГО ОБОРУДОВАНИЯ

Интернет: [www.tisys.ru](http://www.tisys.ru) [www.tisys.kz](http://www.tisys.kz) [www.tisys.by](http://www.tisys.by) [www.tesec.ru](http://www.tesec.ru) [www.ти-системс.рф](http://www.ти-системс.рф)

Телефоны: +7 (495) 7774788, 7489626, 5007155, 54 Эл. почта: [info@tisys.ru](mailto:info@tisys.ru) [info@tisys.kz](mailto:info@tisys.kz) [info@tisys.by](mailto:info@tisys.by)



# TECHNICAL CHARACTERISTICS

## VALVES

**WATER FITTINGS**  
 Longlife renewable cartridges with either compression non-rising spindle or with 1/4 turn ceramic disc. Special fittings with WRAS and Watermark approvals. Working conditions: 10 bar, 65° C.

**GAS FITTINGS**  
 Brass taps with safety cartridge. DVGW and AGA approvals. The push and 1/4 turn ceramic cartridge has a safety locking mechanism that prevents accidental opening. Working conditions: 0,2 bar, 60° C.

**OTHER GASES AND FLUIDS**  
 Brass taps with needle valve. These valves have a fine pitch and PTFE seal for positive shut-off. Supplied with an exchangeable seat, these valves can regulate the flow rate finely. Working conditions: 10 bar, 60° C.

**SPECIAL WATERS FITTINGS**  
 For purified water, plastic, polyethylene lined or stainless steel taps with 1/4 metal free ceramic headwork. Working conditions: 4 bar, 48° C.

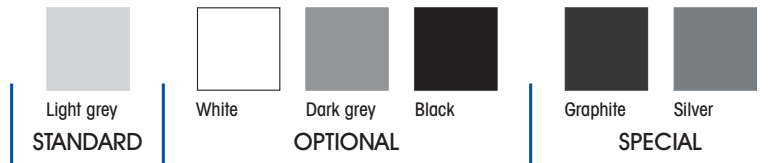
## COLOURS



All our taps are coated with anticorrosive polyamide 11 with a thickness of 250-300 microns.

- This coating is resistant to base chemicals, organic acids, diluted mineral acids and aliphatic solvents.
- It does not stick to surface neither fungi nor microorganisms.
- Made from a vegetable raw material, it does not contain VOCs or heavy metals (chrome, nickel and lead).

### TAPS COATING COLOURS



## APPROVALS



- Laboratory Taps are designed and manufactured according to EN 13792, DIN 12898 and DIN 12918.1-2-3.
- Different international approvals for our range of water and gas taps. English WRAS, German DIN DVGW, Australian WATERMARK and AGA.



# CARLOS ARBOLES S.A

ООО «ТИ-СИСТЕМС» ИНЖИНИРИНГ И ПОСТАВКА ТЕХНОЛОГИЧЕСКОГО ОБОРУДОВАНИЯ

Интернет: [www.tisys.ru](http://www.tisys.ru) [www.tisys.kz](http://www.tisys.kz) [www.tisys.by](http://www.tisys.by) [www.tesec.ru](http://www.tesec.ru) [www.ти-системс.рф](http://www.ти-системс.рф)

Телефоны: +7 (495) 7774788, 7489626, 5007155, 54 Эл. почта: [info@tisys.ru](mailto:info@tisys.ru) [info@tisys.kz](mailto:info@tisys.kz) [info@tisys.by](mailto:info@tisys.by)

# DESIGN AND MANUFACTURING

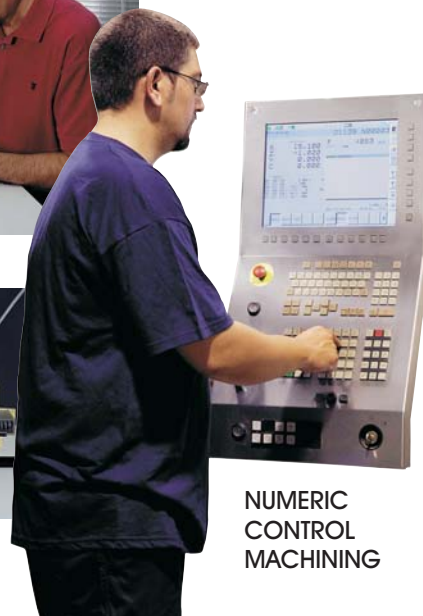
CAD/CAM  
TECHNICAL  
DEPARTMENT



PRODUCTS ARE  
100% LEAK TESTED



MECHANICAL TESTING



NUMERIC  
CONTROL  
MACHINING



CNC MACHINING



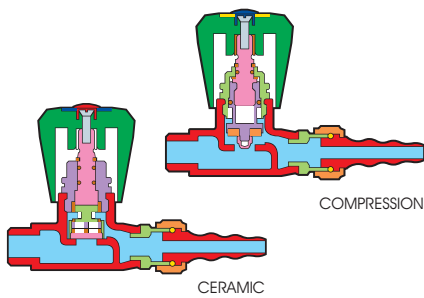
## CARLOS ARBOLES S.A

ООО «ТИ-СИСТЕМС» ИНЖИНИРИНГ И ПОСТАВКА ТЕХНОЛОГИЧЕСКОГО ОБОРУДОВАНИЯ

Интернет: [www.tisys.ru](http://www.tisys.ru) [www.tisys.kz](http://www.tisys.kz) [www.tisys.by](http://www.tisys.by) [www.tesec.ru](http://www.tesec.ru) [www.ти-системс.рф](http://www.ти-системс.рф)

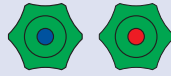
Телефоны: +7 (495) 7774788, 7489626, 5007155, 54 Эл. почта: [info@tisys.ru](mailto:info@tisys.ru) [info@tisys.kz](mailto:info@tisys.kz) [info@tisys.by](mailto:info@tisys.by)

# WATER CONTROLS BENCH MOUNTED



## TECHNICAL FEATURES

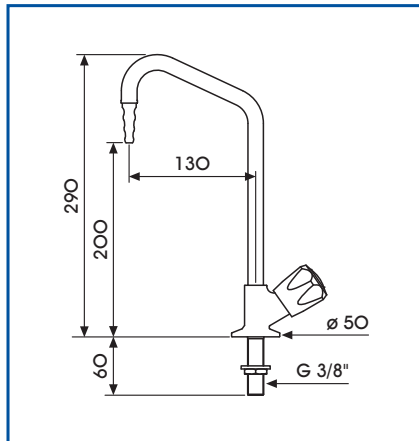
Media: Water  
 Maximum pressure: 10 bar  
 Fluid identification according to DIN-EN 13792:



Design according to DIN 12918-1  
 Nozzle according to DIN 12898

Main materials: Brass Body  
 Headwork: Brass, compression sealing  
 Optional: Long life 1/4 turn ceramic headwork

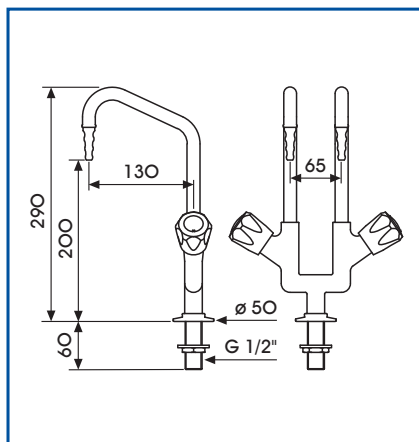
Handwheel: Green ABS  
 Anticorrosive coating: Polyamide 11, light grey colour RAL 7035  
 Mounting hole: 22 mm for G 1/2" and 17 mm for G 3/8"



### FIXED SWANNECK FIXED NOZZLE OUTLET, COMPRESSION WATER HEADWORK

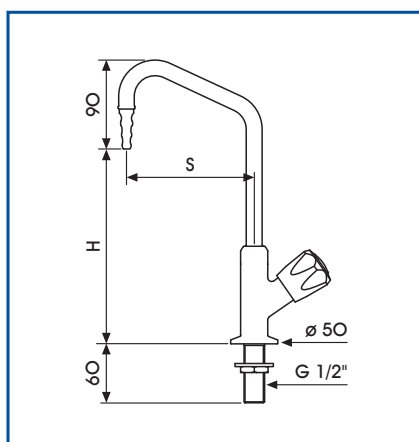
- 6101 LEFT HAND CONTROL
- 6102 REAR HAND CONTROL
- 6103 RIGHT HAND CONTROL

Other options:  
 - Ceramic water headwork  
 - Removable nozzle



### 6104 TWO WAY FIXED SWANNECK, FIXED NOZZLE OUTLET, COMPRESSION WATER HEADWORK

Other options:  
 - Ceramic water headwork  
 - Removable nozzle



### SWIVEL SWANNECK, FIXED NOZZLE OUTLET, COMPRESSION WATER HEADWORK

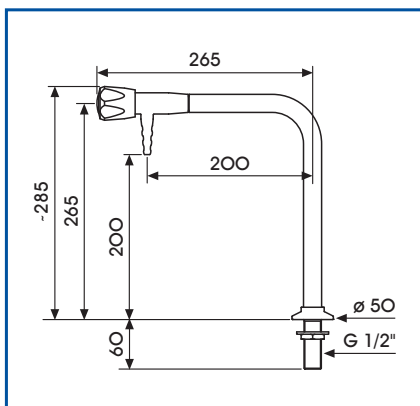
- 6105 H=200 mm S=130 mm
- 6106 H=240 mm S=130 mm
- 6107 H=240 mm S=200 mm

Other options:  
 - Ceramic water headwork  
 - Removable nozzle



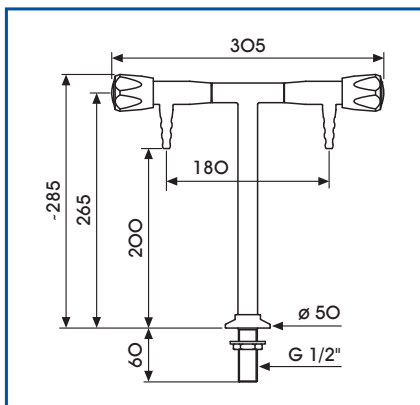


# WATER CONTROLS BENCH MOUNTED



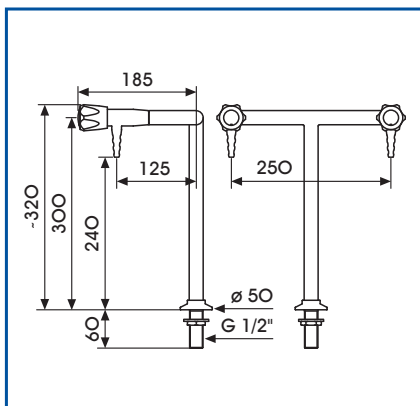
**6120** BIB TAP, FIXED NOZZLE  
OUTLET, COMPRESSION  
WATER HEADWORK

Other options:  
- Ceramic water headwork  
- Removable nozzle



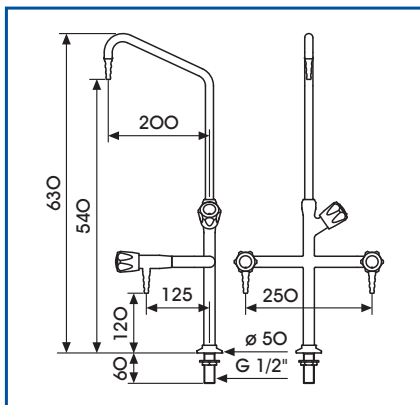
**6122** TWO WAY BIB TAP AT 180°,  
FIXED NOZZLE OUTLET,  
COMPRESSION WATER  
HEADWORK

Other options:  
- Ceramic water headwork  
- Removable nozzle



**6124** TWO WAY BIB TAP "U",  
FIXED NOZZLE OUTLET  
COMPRESSION WATER  
HEADWORK

Other options:  
- Ceramic water headwork  
- Removable nozzle



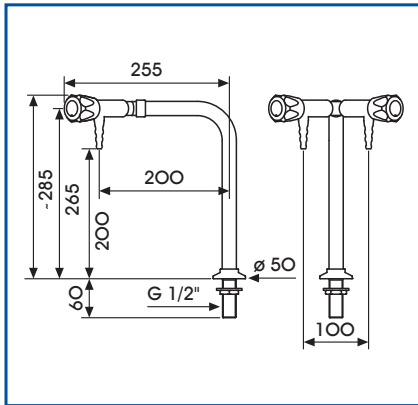
**6126** THREE WAY BIB TAP, FIXED  
NOZZLE OUTLET,  
COMPRESSION WATER  
HEADWORK

Other options:  
- Ceramic water headwork  
- Removable nozzle



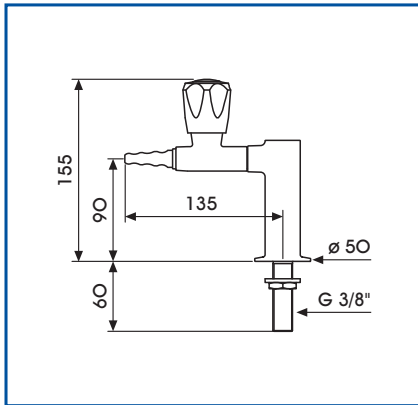


# WATER CONTROLS BENCH MOUNTED



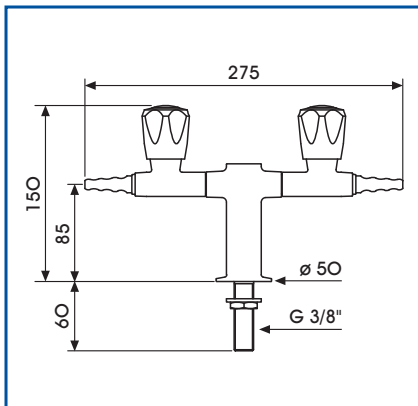
**6128** TWO WAY BIB TAP "Y",  
FIXED NOZZLE OUTLET,  
COMPRESSION WATER  
HEADWORK

Other options:  
- Ceramic water headwork  
- Removable nozzle



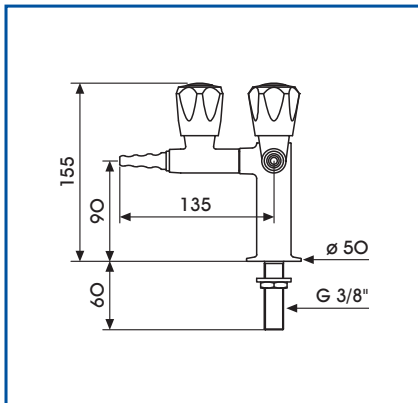
**6201** SINGLE TAP, FIXED NOZZLE  
OUTLET, COMPRESSION  
WATER HEADWORK

Other options:  
- Ceramic water headwork  
- Removable nozzle



**6202** TWO WAY TAP AT 180°,  
FIXED NOZZLE OUTLET,  
COMPRESSION WATER  
HEADWORK

Other options:  
- Ceramic water headwork  
- Removable nozzle

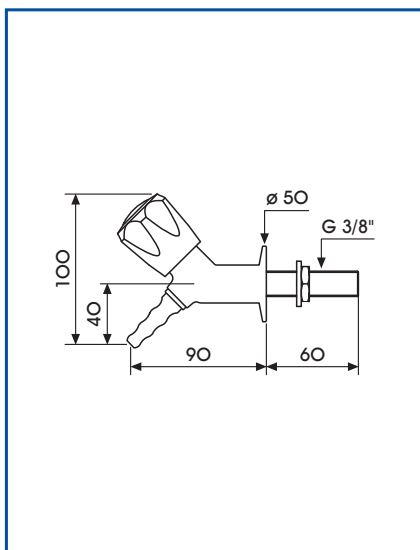


**6203** TWO WAY TAP AT 90°,  
FIXED NOZZLE OUTLET,  
COMPRESSION WATER  
HEADWORK

Other options:  
- Ceramic water headwork  
- Removable nozzle

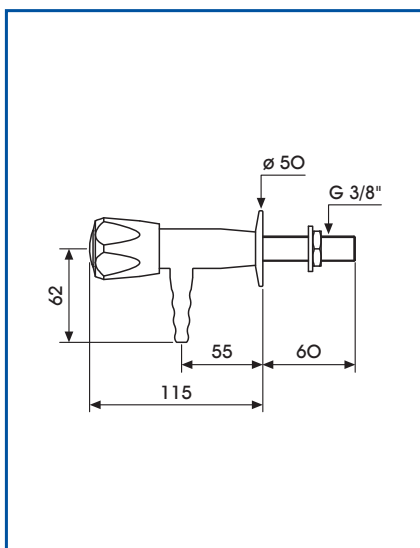


# WATER CONTROLS WALL MOUNTED



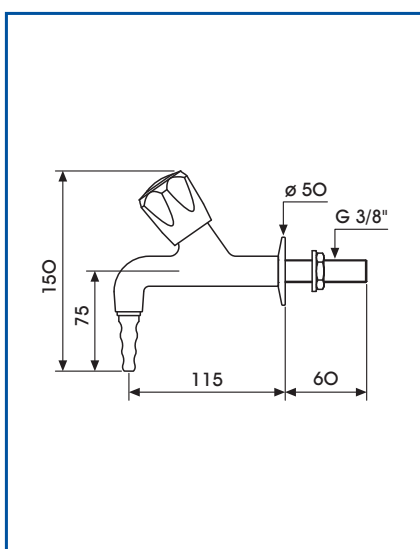
**6284** BIB TAP, FIXED NOZZLE  
OUTLET AT 45°,  
COMPRESSION WATER  
HEADWORK

Other options:  
- Ceramic water headwork  
- Removable nozzle



**6721** ANGLE TAP, FIXED  
NOZZLE OUTLET,  
COMPRESSION WATER  
HEADWORK

Other options:  
- Ceramic water headwork  
- Removable nozzle

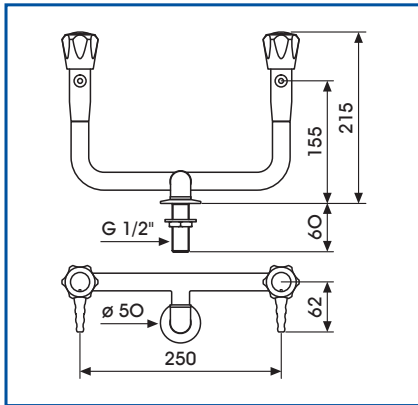


**6802** BIB TAP, FIXED NOZZLE  
OUTLET AT 90°,  
COMPRESSION WATER  
HEADWORK

Other options:  
- Ceramic water headwork  
- Removable nozzle

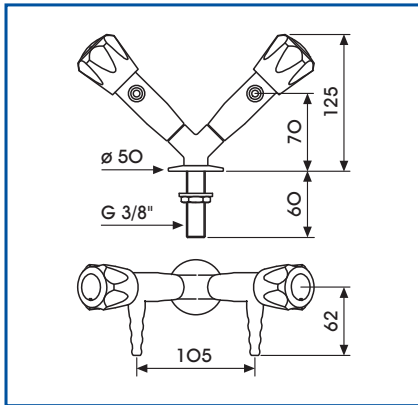


# WATER CONTROLS WALL MOUNTED



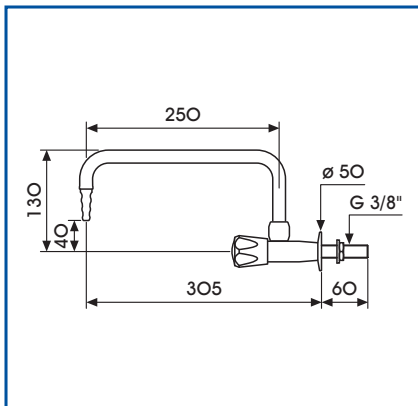
**6810** TWO WAY BIB TAP,  
FIXED NOZZLE OUTLET,  
COMPRESSION WATER  
HEADWORK

Other options:  
- Ceramic water headwork  
- Removeable nozzle



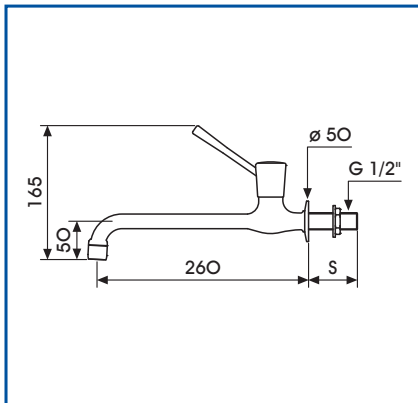
**6818** TWO WAY ANGLE TAP,  
FIXED NOZZLE OUTLET,  
COMPRESSION WATER  
HEADWORK

Other options:  
- Ceramic water headwork  
- Removeable nozzle



**6870** MOVABLE SWANNECK,  
FIXED NOZZLE OUTLET,  
COMPRESSION WATER  
HEADWORK

Other options:  
- Ceramic water headwork  
- Removeable nozzle

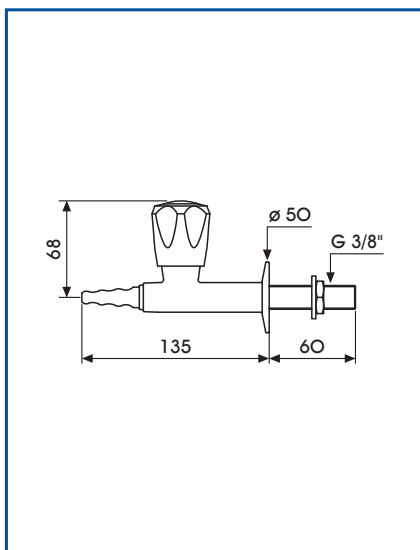


**BIP TAP, AERATOR, WRIST  
ACTION LEVER, CERAMIC  
HEADWORK**

**6955** S=60 mm  
**955** S=12 mm

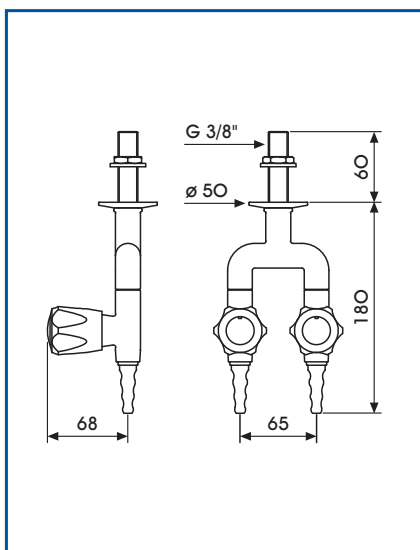


# WATER CONTROLS WALL/PENDANT MOUNTED



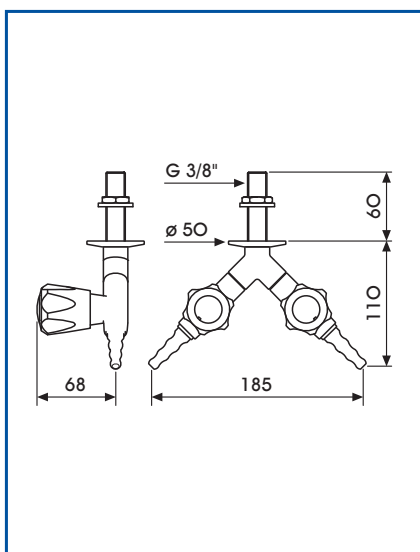
**6815** IN LINE TAP, FIXED NOZZLE OUTLET, COMPRESSION WATER HEADWORK

Other options:  
 - Ceramic water headwork  
 - Removable nozzle



**6816** TWO WAY IN LINE TAP "U", FIXED NOZZLE OUTLET, COMPRESSION WATER HEADWORK

Other options:  
 - Ceramic water headwork  
 - Removable nozzle



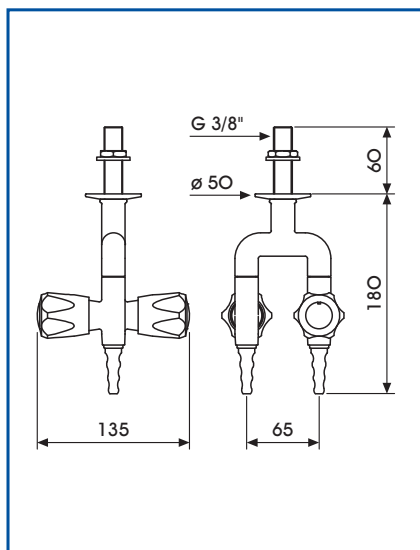
**6817** TWO WAY IN LINE TAP "Y", FIXED NOZZLE OUTLET, COMPRESSION WATER HEADWORK

Other options:  
 - Ceramic water headwork  
 - Removable nozzle



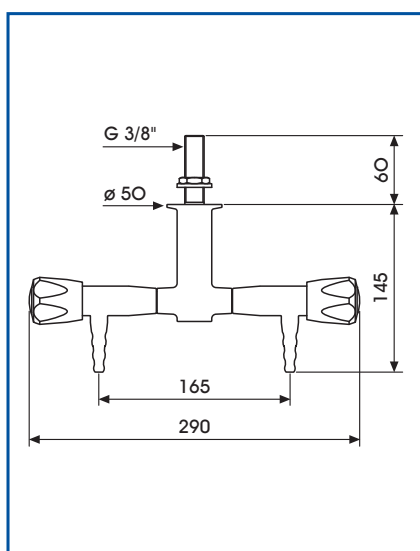


# WATER CONTROLS PENDANT MOUNTED



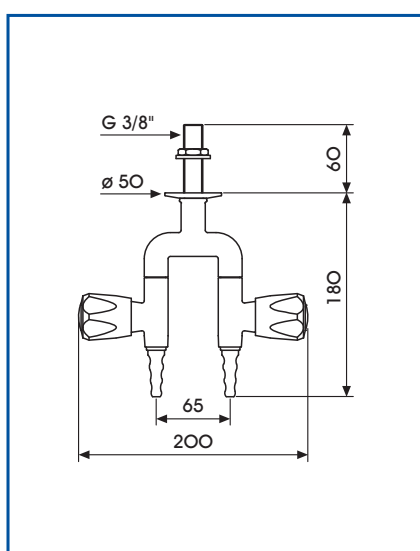
**6216** TWO WAY IN LINE TAP, FIXED NOZZLE OUTLET, COMPRESSION WATER HEADWORK

Other options:  
 - Ceramic water headwork  
 - Removable nozzle



**6222** TWO WAY ANGLE TAP AT 180°, FIXED NOZZLE OUTLET, COMPRESSION WATER HEADWORK

Other options:  
 - Ceramic water headwork  
 - Removable nozzle

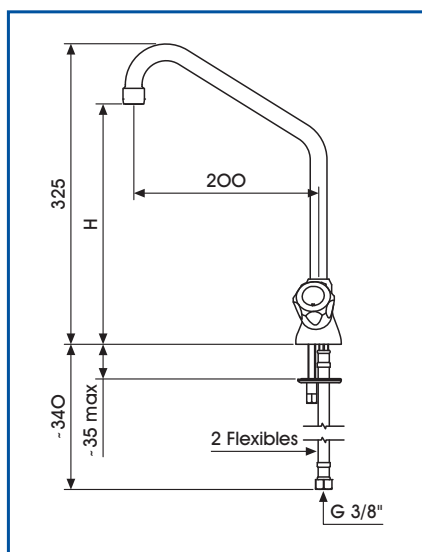


**6416** TWO WAY IN LINE TAP, FIXED NOZZLE OUTLET, COMPRESSION WATER HEADWORK

Other options:  
 - Ceramic water headwork  
 - Removable nozzle

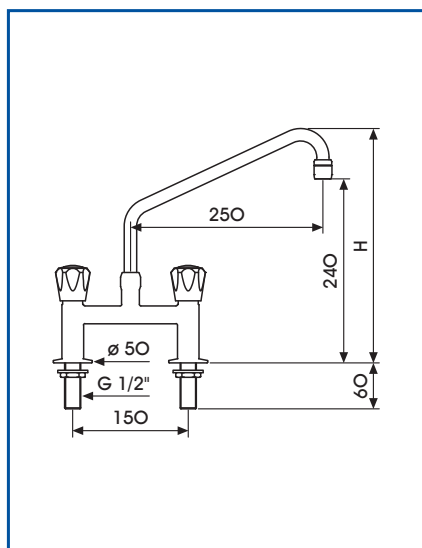


# MIXER TAPS BENCH MOUNTED



## SWIVEL SWANNECK, COMPRESSION WATER HEADWORK

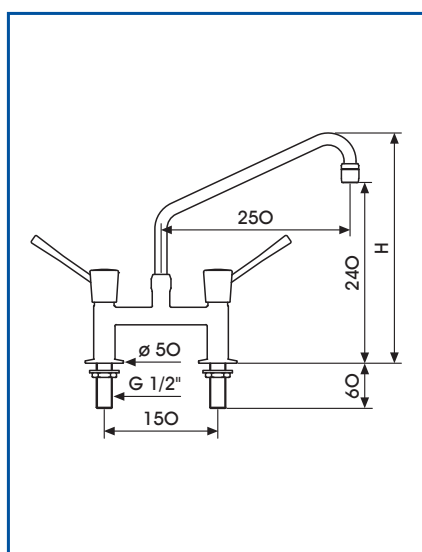
- 115 WITH AERATOR  
H=260 mm
- 116 WITH REMOVABLE NOZZLE  
H=215 mm



## SWIVEL SWANNECK, 150 mm CENTRES, COMPRESSION WATER HEADWORK

- 6140 WITH AERATOR  
H=305 mm
- 6141 WITH FIXED NOZZLE  
H=330 mm
- 6142 WITH REMOVABLE NOZZLE  
H=335 mm

Other options:  
- Ceramic water headwork

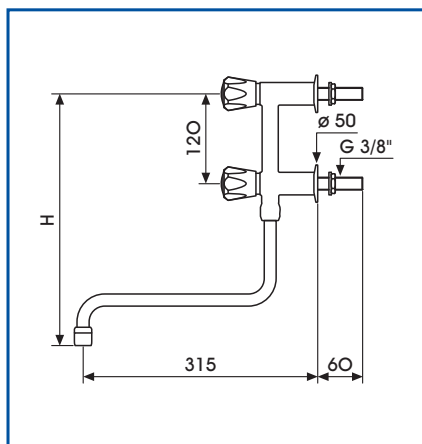


## SWIVEL SWANNECK, WRIST ACTION LEVER, CERAMIC WATER HEADWORK

- 6155 WITH AERATOR  
H=305 mm
- 6156 WITH FIXED NOZZLE  
H=330 mm
- 6157 WITH REMOVABLE NOZZLE  
H=335 mm



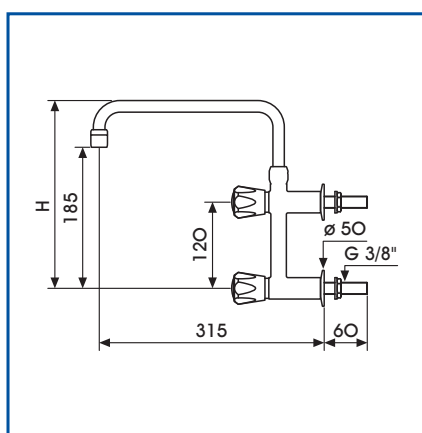
# MIXER TAPS WALL MOUNTED



## SWIVEL SWANNECK, COMPRESSION WATER HEADWORK

- 6160** WITH AERATOR H=310 mm
- 6161** WITH FIXED NOZZLE H=330 mm
- 6162** WITH REMOVABLE NOZZLE H=335 mm

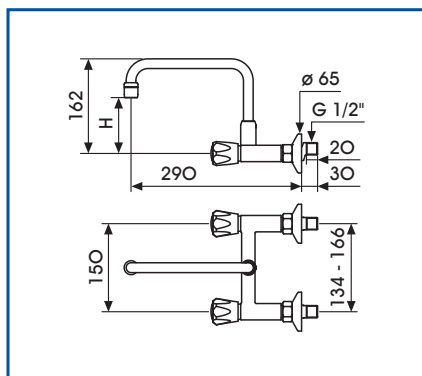
Other options:  
- Ceramic water headwork



## SWIVEL SWANNECK, COMPRESSION WATER HEADWORK

- 6170** WITH AERATOR H=250 mm
- 6171** WITH FIXED NOZZLE H=270 mm
- 6172** WITH REMOVABLE NOZZLE H=280 mm

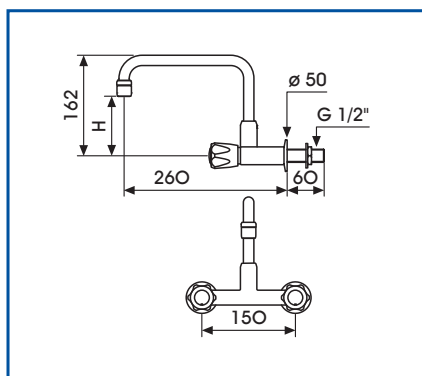
Other options:  
- Ceramic water headwork



## SWIVEL SWANNECK, 150 mm ADJUSTABLE CENTRES, COMPRESSION WATER HEADWORK

- 812** WITH AERATOR H=95 mm
- 813** WITH FIXED NOZZLE H=70 mm
- 814** WITH REMOVABLE NOZZLE H=70 mm

Other options:  
- Ceramic water headwork



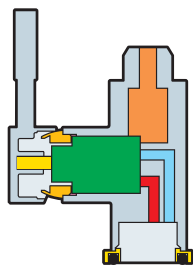
## SWIVEL SWANNECK, 150 mm CENTRES, COMPRESSION WATER HEADWORK

- 6190** WITH AERATOR H=95 mm
- 6191** WITH FIXED NOZZLE H=70 mm
- 6192** WITH REMOVABLE NOZZLE H=70 mm

Other options:  
- Ceramic water headwork



# MONOBLOC MIXER TAPS BENCH MOUNTED

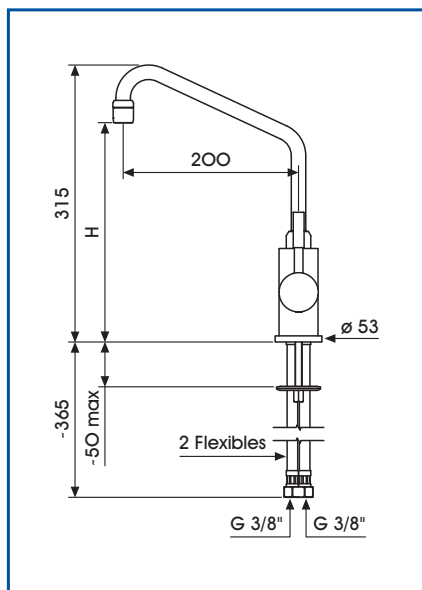


## TECHNICAL FEATURES

Media: Hot/cold water  
 Maximum pressure: 5 bar  
 Design according to DIN 12918-1 and EN 200

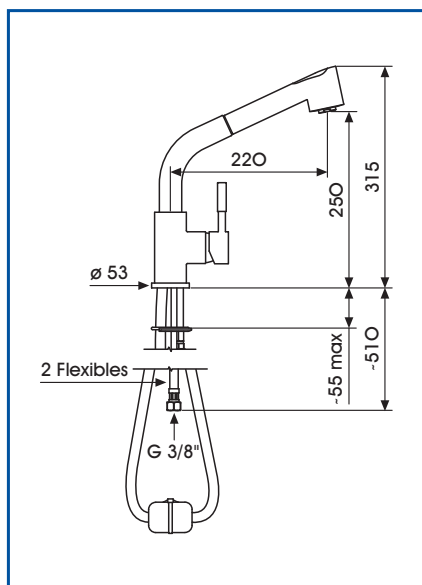
Nozzle according to DIN 12898  
 Main materials: Brass Body  
 Headwork: 35 mm ceramic cartridge  
 Lever: Brass

Anticorrosive coating: Polyamide 11, light grey colour RAL 7035  
 Mounting hole: 35-37 mm



## MONOBLOC SINGLE HANDLE MIXER WITH SWIVEL SWANNECK

- 310 WITH AERATOR H=250 mm
- 311 WITH FIXED NOZZLE OUTLET H=225 mm
- 312 WITH REMOVABLE NOZZLE H=220 mm

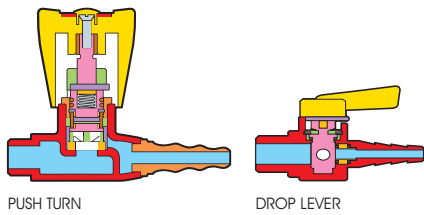


## 320 MONOBLOC SINGLE HANDLE MIXER WITH PULL-OUT SHOWER



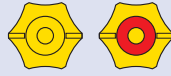


# GAS CONTROLS WALL MOUNTED



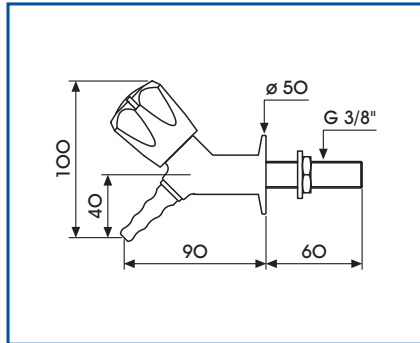
## TECHNICAL FEATURES

Media: Burning gas  
 Maximum pressure: 0,2 bar  
 Fluid identification according to DIN-EN 13792:



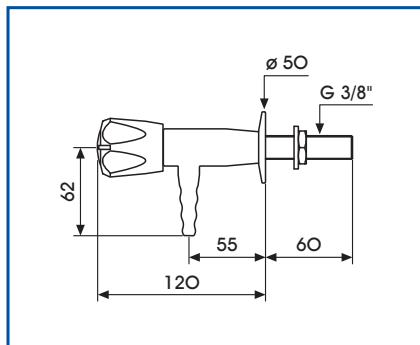
Design according to DIN 12918-2  
 Nozzle according to DIN 12898

Main materials: Brass Body  
 Headwork: 1/4 Push-Turn ceramic headwork with safety locking  
 Drop lever: 1/4 plug type with safety locking  
 Handwheel: Yellow ABS  
 Anticorrosive coating: Polyamide 11, light grey colour RAL 7035  
 Mounting hole: 17 mm for G 3/8"



**6384** BIB TAP, FIXED NOZZLE OUTLET, PUSH-TURN GAS HEADWORK

Other options:  
 - Removable nozzle



**6731** ANGLE TAP, FIXED NOZZLE OUTLET, PUSH-TURN GAS HEADWORK

Other options:  
 - Removable nozzle



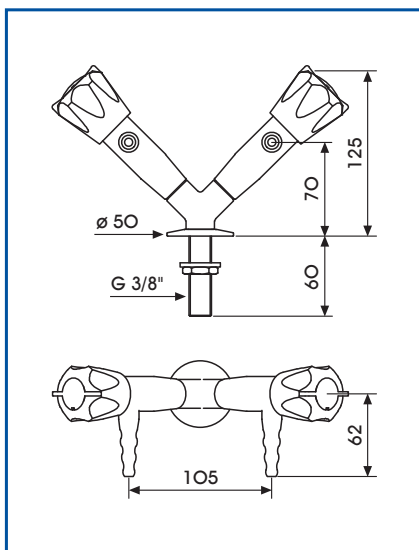
# CARLOS ARBOLES S.A

ООО «ТИ-СИСТЕМС» ИНЖИНИРИНГ И ПОСТАВКА ТЕХНОЛОГИЧЕСКОГО ОБОРУДОВАНИЯ

Интернет: [www.tisys.ru](http://www.tisys.ru) [www.tisys.kz](http://www.tisys.kz) [www.tisys.by](http://www.tisys.by) [www.tesec.ru](http://www.tesec.ru) [www.ти-системс.рф](http://www.ти-системс.рф)

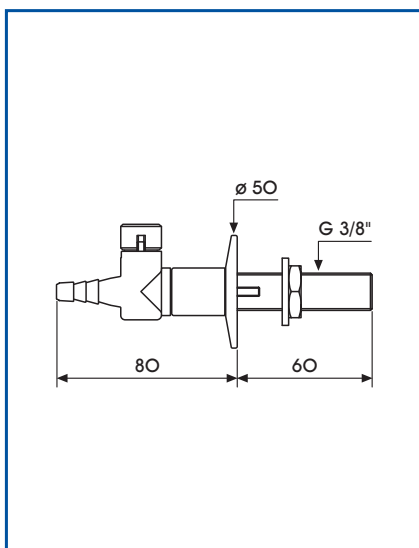
Телефоны: +7 (495) 7774788, 7489626, 5007155, 54 Эл. почта: [info@tisys.ru](mailto:info@tisys.ru) [info@tisys.kz](mailto:info@tisys.kz) [info@tisys.by](mailto:info@tisys.by)

# DROP LEVER/GAS CONTROLS WALL MOUNTED



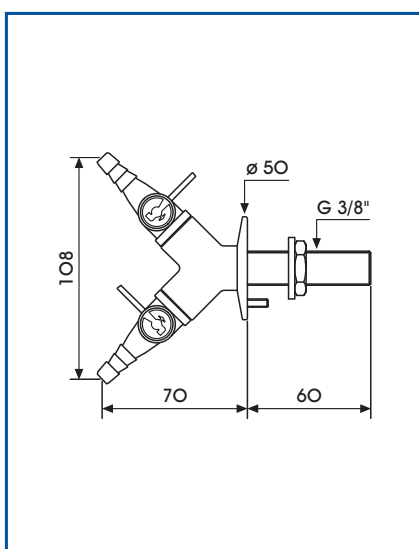
**6838** TWO WAY ANGLE TAP, FIXED NOZZLE OUTLET, PUSH-TURN GAS HEADWORK

Other options:  
- Removable nozzle



**DROP LEVER GAS TAP WALL MOUNTED**

**800035 AR**  
SINGLE DROP LEVER TAP  
**800035 NN**  
FITTED WITH NON-RETURN VALVE AND RESTRICTOR

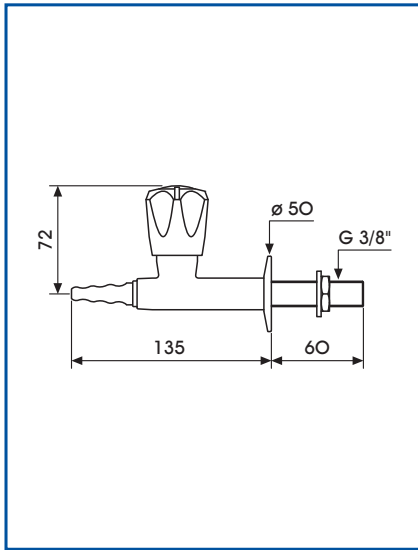


**DROP LEVER GAS TAP WALL MOUNTED**

**800036 AR**  
TWO WAY DROP LEVER TAP  
**800036 NN**  
FITTED WITH NON-RETURN VALVES AND RESTRICTORS

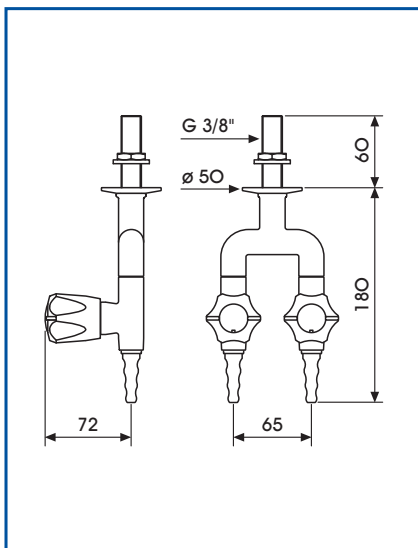


# GAS CONTROLS WALL/PENDANT MOUNTED



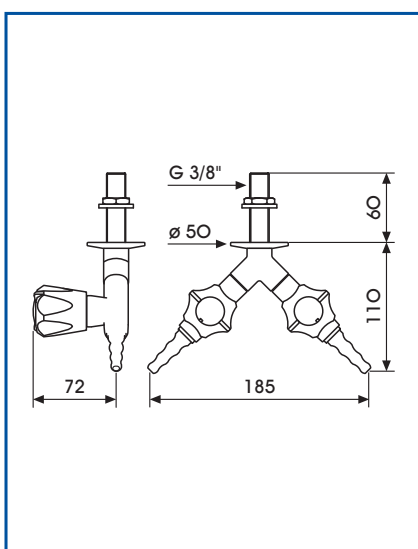
**6831** IN LINE TAP, FIXED NOZZLE OUTLET, PUSH-TURN GAS HEADWORK

Other options:  
- Removable nozzle



**6832** TWO WAY IN LINE TAP "U", FIXED NOZZLE OUTLET, PUSH-TURN GAS HEADWORK

Other options:  
- Removable nozzle

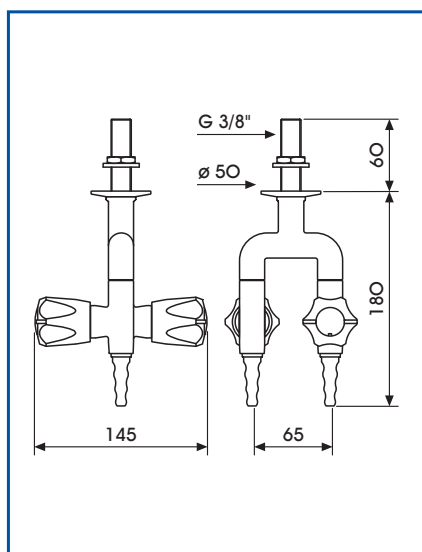


**6833** TWO WAY IN LINE TAP "Y", FIXED NOZZLE OUTLET, PUSH-TURN GAS HEADWORK

Other options:  
- Removable nozzle

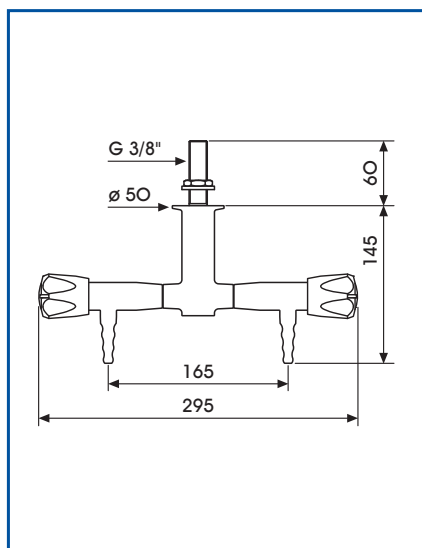


# GAS CONTROLS PENDANT MOUNTED



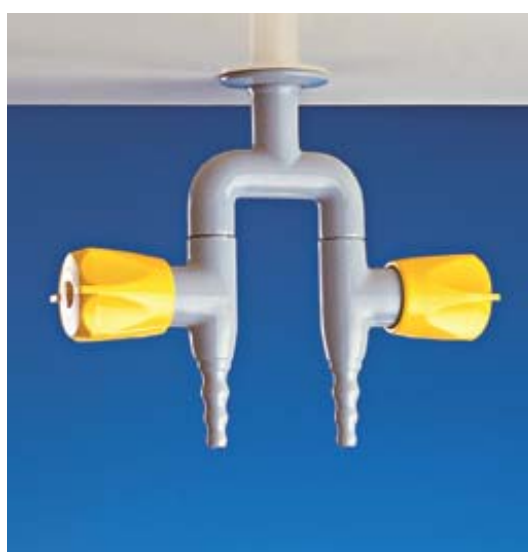
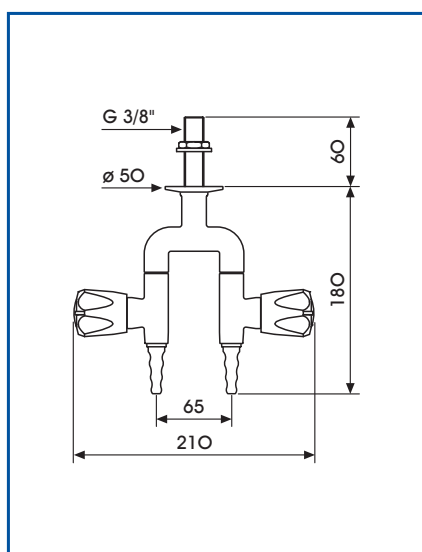
**6232** TWO WAY IN LINE TAP, FIXED NOZZLE OUTLET, PUSH-TURN GAS HEADWORK

Other options:  
- Removable nozzle



**6322** TWO WAY ANGLE TAP AT 180°, FIXED NOZZLE OUTLET, PUSH-TURN GAS HEADWORK

Other options:  
- Removable nozzle



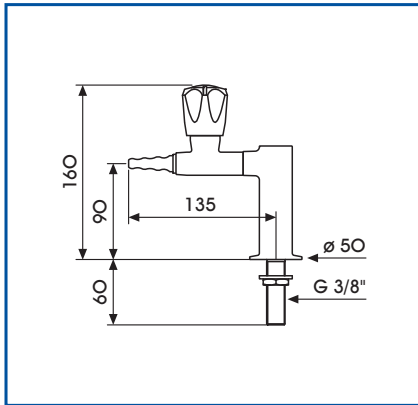
**6432** TWO WAY IN LINE TAP, FIXED NOZZLE OUTLET, PUSH-TURN GAS HEADWORK

Other options:  
- Removable nozzle



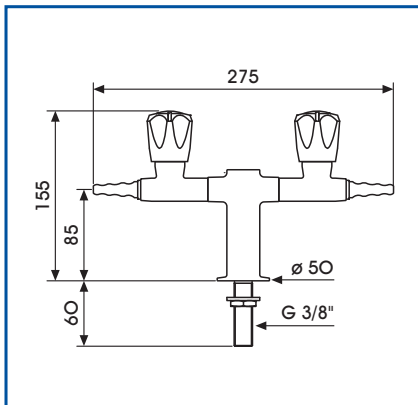


# GAS CONTROLS BENCH MOUNTED



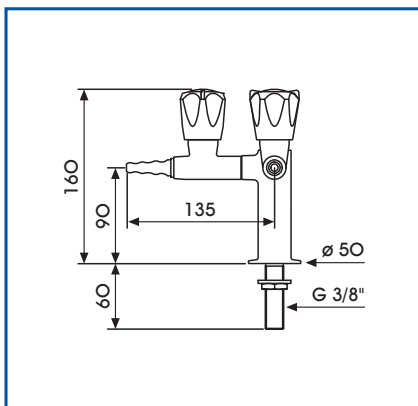
**6301** SINGLE TAP, FIXED NOZZLE OUTLET, PUSH-TURN GAS HEADWORK

Other options:  
- Removable nozzle



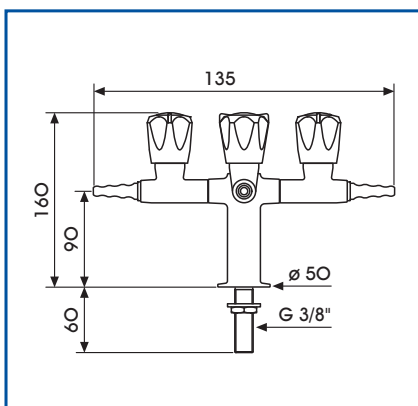
**6302** TWO WAY TAP AT 180°, FIXED NOZZLE OUTLET, PUSH-TURN GAS HEADWORK

Other options:  
- Removable nozzle



**6303** TWO WAY TAP AT 90°, FIXED NOZZLE OUTLET, PUSH-TURN GAS HEADWORK

Other options:  
- Removable nozzle

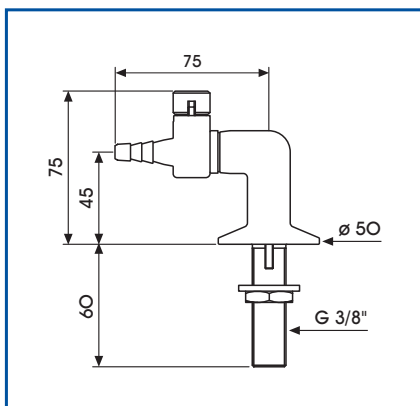


**6304** FOUR WAY TAP, FIXED NOZZLE, PUSH-TURN HEADWORK

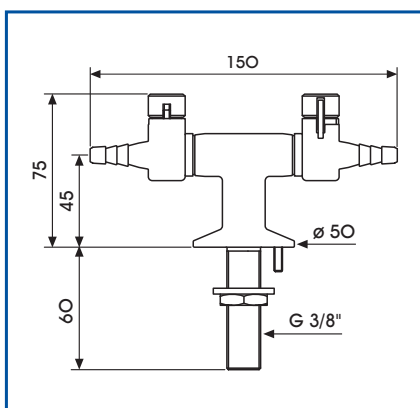
Other options:  
- Removable nozzle



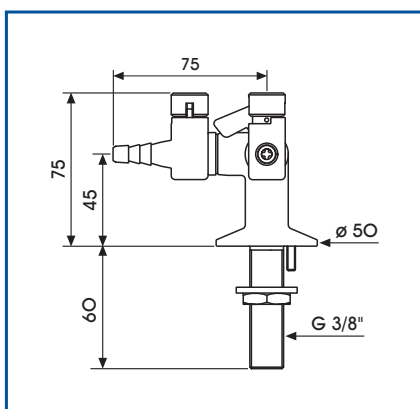
# DROP LEVER CONTROLS BENCH MOUNTED



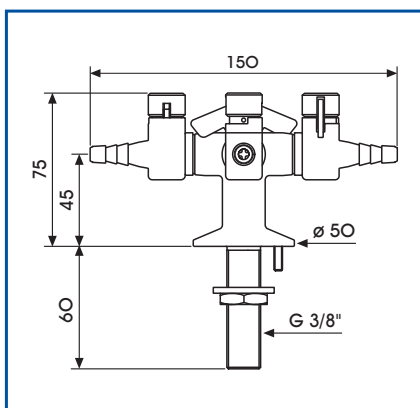
**800031 AR**  
SINGLE DROP LEVER TAP  
**800031 NN**  
FITTED WITH NON-RETURN  
VALVE AND RESTRICTOR



**800032 AR**  
TWO WAY DROP LEVER TAP  
AT 180°  
**800032 NN**  
FITTED WITH NON-RETURN  
VALVES AND RESTRICTORS



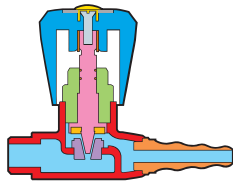
**800033 AR**  
TWO WAY DROP LEVER TAP  
AT 90°  
**800033 NN**  
FITTED WITH NON-RETURN  
VALVES AND RESTRICTORS



**800034 AR**  
FOUR WAY DROP LEVER TAP  
**800034 NN**  
FITTED WITH NON-RETURN  
VALVES AND RESTRICTORS



# DRY SERVICE CONTROLS BENCH MOUNTED



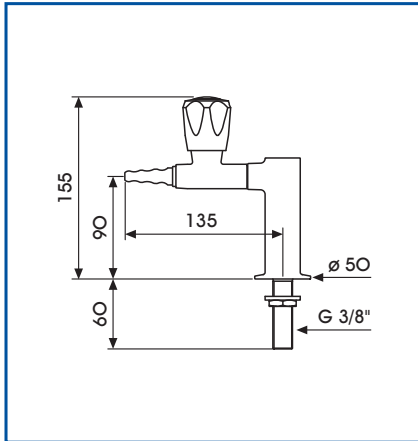
## TECHNICAL FEATURES

Media: Dry services  
 Maximum pressure: 10 bar  
 Fluid identification according to DIN-EN 13792:



Design according to DIN 12918-3  
 Nozzle according to DIN 12898

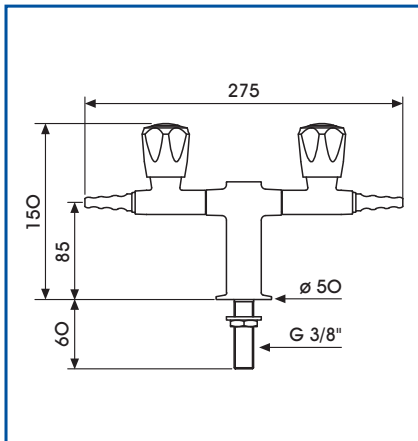
Main materials: Brass Body  
 Headwork: Needle Brass valve, PTFE compression sealing  
 Handwheel: ABS  
 Anticorrosive coating: Polyamide 11, light grey colour RAL 7035  
 Mounting hole: 17 mm for G 3/8"



### SINGLE TAP, FIXED NOZZLE OUTLET, NEEDLE HEADWORK

**6401** FOR VACUUM  
**6501** FOR COMPRESSED AIR  
**6601** FOR OTHER PRESSURE GASES  
 (INDICATE GAS/FLUID)  
**6801** FOR OXYGEN

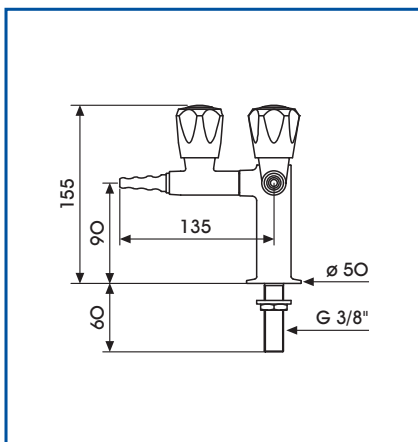
Other options:  
 - Removable nozzle



### TWO WAY TAP AT 180°, FIXED NOZZLE OUTLET, NEEDLE HEADWORK

**6402** FOR VACUUM  
**6502** FOR COMPRESSED AIR  
**6602** FOR OTHER PRESSURE GASES  
 (INDICATE GAS/FLUID)  
**6808** FOR OXYGEN

Other options:  
 - Removable nozzle



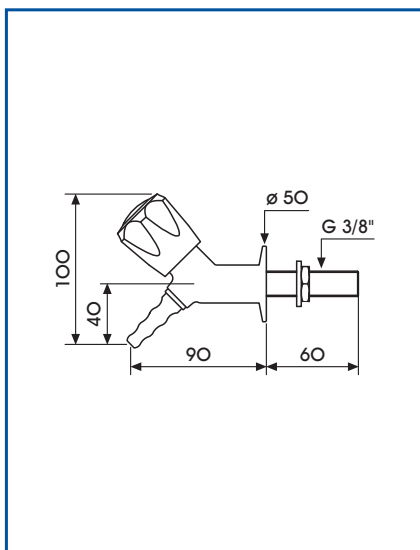
### TWO WAY TAP AT 90°, FIXED NOZZLE OUTLET, NEEDLE HEADWORK

**6403** FOR VACUUM  
**6503** FOR COMPRESSED AIR  
**6603** FOR OTHER PRESSURE GASES  
 (INDICATE GAS/FLUID)  
**6803** FOR OXYGEN

Other options:  
 - Removable nozzle



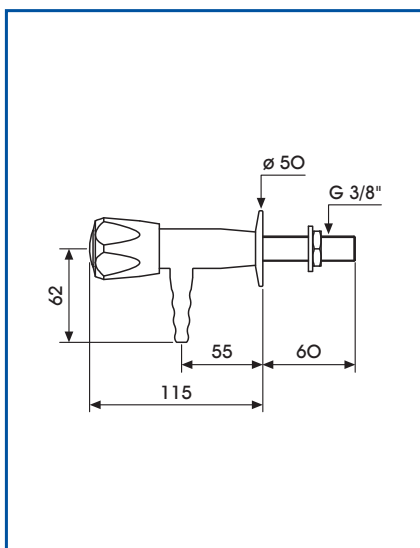
# DRY SERVICE CONTROLS WALL MOUNTED



## BIB TAP, FIXED NOZZLE OUTLET, NEEDLE HEADWORK

- 6484** FOR VACUUM
- 6584** FOR COMPRESSED AIR
- 6684** FOR OTHER PRESSURE GASES (INDICATE GAS/FLUID)
- 6884** FOR OXYGEN

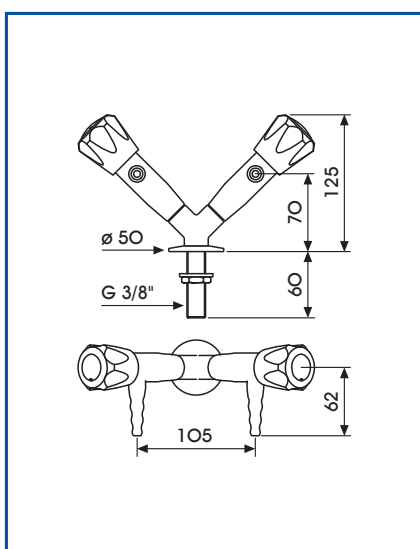
Other options:  
- Removable nozzle



## ANGLE TAP, FIXED NOZZLE OUTLET, NEEDLE HEADWORK

- 6741** FOR VACUUM
- 6751** FOR COMPRESSED AIR
- 6761** FOR OTHER PRESSURE GASES (INDICATE GAS/FLUID)
- 6781** FOR OXYGEN

Other options:  
- Removable nozzle



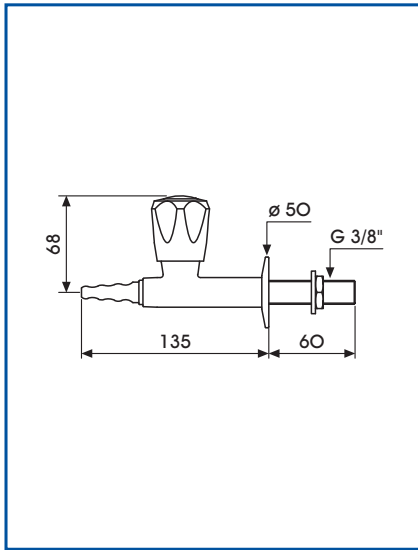
## TWO WAY ANGLE TAP, FIXED NOZZLE OUTLET, NEEDLE HEADWORK

- 6848** FOR VACUUM
- 6858** FOR COMPRESSED AIR
- 6868** FOR OTHER PRESSURE GASES (INDICATE GAS/FLUID)
- 6888** FOR OXYGEN

Other options:  
- Removable nozzle



# DRY SERVICE CONTROLS WALL/PENDANT MOUNTED



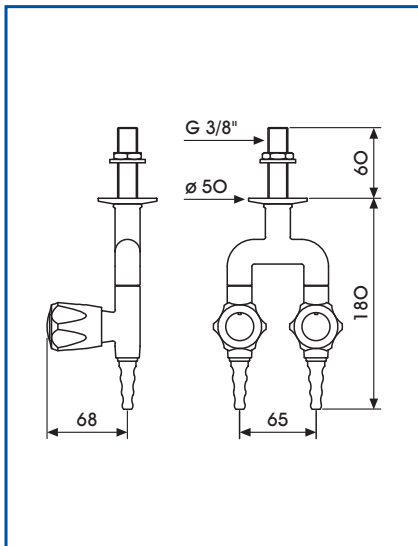
## IN LINE TAP, FIXED NOZZLE OUTLET, NEEDLE HEADWORK

**6841** FOR VACUUM  
**6851** FOR COMPRESSED AIR  
**6861** FOR OTHER PRESSURE  
GASES  
(INDICATE GAS/FLUID)

**6881** FOR OXYGEN

Other options:

- Removable nozzle



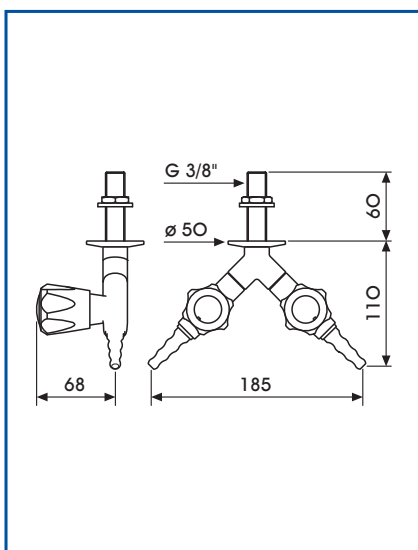
## TWO WAY IN LINE TAP "U", FIXED NOZZLE OUTLET, NEEDLE HEADWORK

**6842** FOR VACUUM  
**6852** FOR COMPRESSED AIR  
**6862** FOR OTHER PRESSURE  
GASES  
(INDICATE GAS/FLUID)

**6882** FOR OXYGEN

Other options:

- Removable nozzle



## TWO WAY IN LINE TAP "Y", FIXED NOZZLE OUTLET, NEEDLE HEADWORK

**6843** FOR VACUUM  
**6853** FOR COMPRESSED AIR  
**6863** FOR OTHER PRESSURE  
GASES  
(INDICATE GAS/FLUID)

**6883** FOR OXYGEN

Other options:

- Removable nozzle



# CARLOS ARBOLES S.A

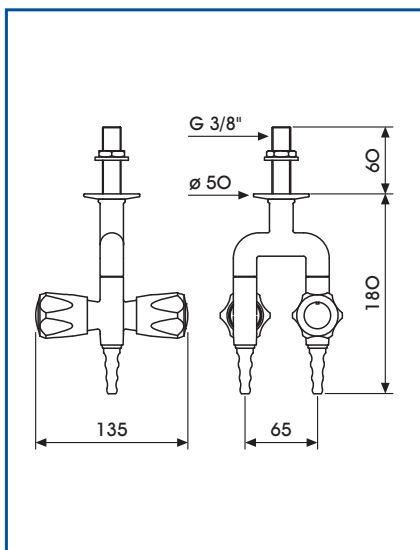
ООО «ТИ-СИСТЕМС» ИНЖИНИРИНГ И ПОСТАВКА ТЕХНОЛОГИЧЕСКОГО ОБОРУДОВАНИЯ

Интернет: [www.tisys.ru](http://www.tisys.ru) [www.tisys.kz](http://www.tisys.kz) [www.tisys.by](http://www.tisys.by) [www.tesec.ru](http://www.tesec.ru) [www.ти-системс.рф](http://www.ти-системс.рф)

Телефоны: +7 (495) 7774788, 7489626, 5007155, 54 Эл. почта: [info@tisys.ru](mailto:info@tisys.ru) [info@tisys.kz](mailto:info@tisys.kz) [info@tisys.by](mailto:info@tisys.by)



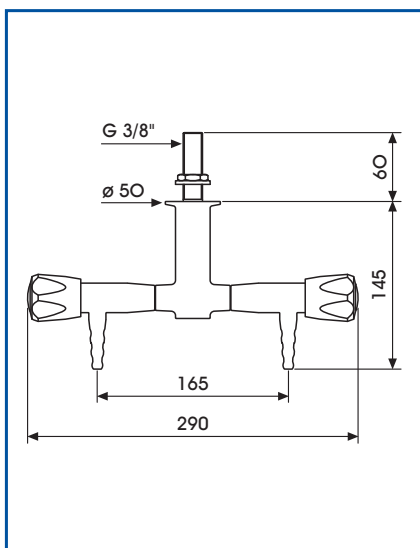
# DRY SERVICE CONTROLS PENDANT MOUNTED



## TWO WAY IN LINE TAP, FIXED NOZZLE OUTLET, NEEDLE HEADWORK

- 6242** FOR VACUUM
- 6252** FOR COMPRESSED AIR
- 6262** FOR OTHER PRESSURE GASES  
(INDICATE GAS/FLUID)
- 6282** FOR OXYGEN

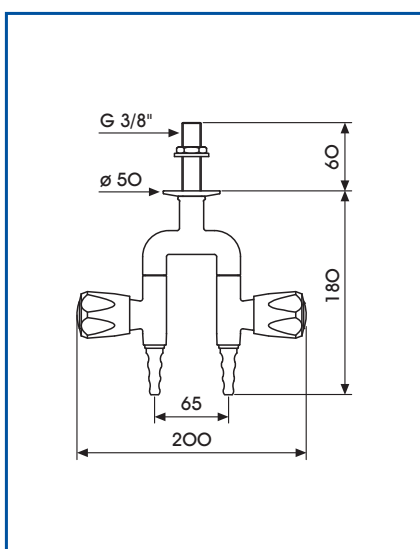
Other options:  
- Removable nozzle



## TWO WAY ANGLE TAP AT 180°, FIXED NOZZLE OUTLET, NEEDLE HEADWORK

- 6422** FOR VACUUM
- 6522** FOR COMPRESSED AIR
- 6622** FOR OTHER PRESSURE GASES  
(INDICATE GAS/FLUID)
- 6822** FOR OXYGEN

Other options:  
- Removable nozzle



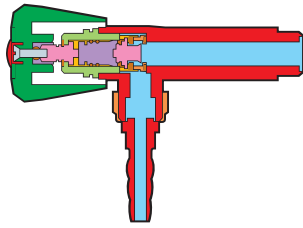
## TWO WAY IN LINE TAP, FIXED NOZZLE OUTLET, NEEDLE HEADWORK

- 6442** FOR VACUUM
- 6452** FOR COMPRESSED AIR
- 6462** FOR OTHER PRESSURE GASES  
(INDICATE GAS/FLUID)
- 6482** FOR OXYGEN

Other options:  
- Removable nozzle



# STAINLESS STEEL CONTROLS FOR SPECIAL WATERS



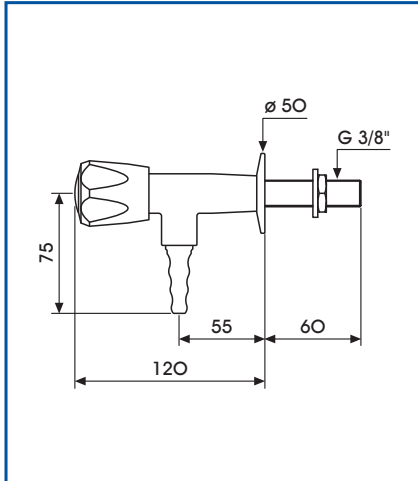
## TECHNICAL FEATURES

Media: Purified water  
 Maximum pressure: 4 bar  
 Fluid identification according to DIN-EN 13792:

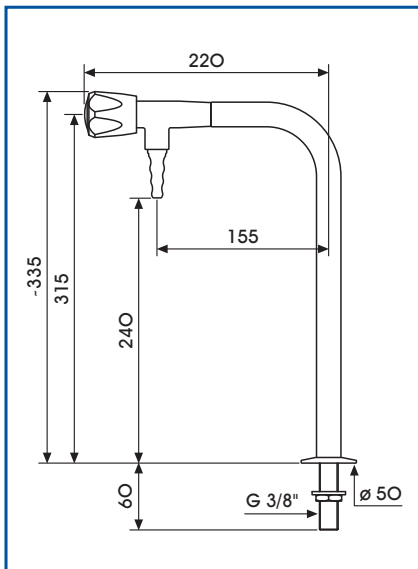


Design according to DIN 12918-1  
 Nozzle according to DIN 12898

Main materials: 304 Stainless Steel  
 Headwork: 1/4 metal free ceramic headwork  
 Handwheel: Green ABS  
 Anticorrosive coating: Polyamide 11, light grey colour RAL 7035  
 Mounting hole: 17 mm for G 3/8"



**6198** ANGLE TAP, FIXED NOZZLE OUTLET, SPECIAL WATER HEADWORK, WALL MOUNTED



**6199** BIB TAP, FIXED NOZZLE OUTLET, SPECIAL WATER HEADWORK, BENCH MOUNTED



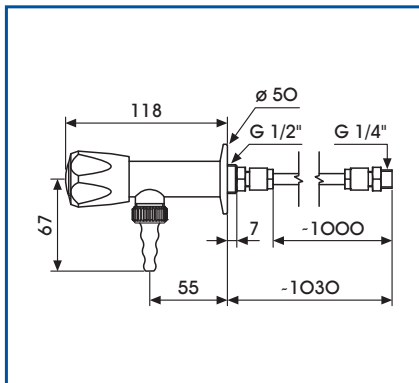
# CARLOS ARBOLES S.A

ООО «ТИ-СИСТЕМС» ИНЖИНИРИНГ И ПОСТАВКА ТЕХНОЛОГИЧЕСКОГО ОБОРУДОВАНИЯ

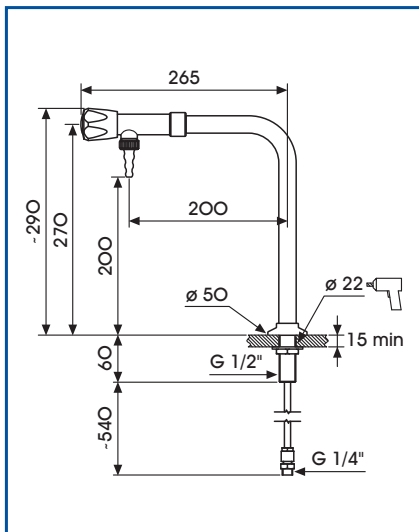
Интернет: [www.tisys.ru](http://www.tisys.ru) [www.tisys.kz](http://www.tisys.kz) [www.tisys.by](http://www.tisys.by) [www.tesec.ru](http://www.tesec.ru) [www.ти-системс.рф](http://www.ти-системс.рф)

Телефоны: +7 (495) 7774788, 7489626, 5007155, 54 Эл. почта: [info@tisys.ru](mailto:info@tisys.ru) [info@tisys.kz](mailto:info@tisys.kz) [info@tisys.by](mailto:info@tisys.by)

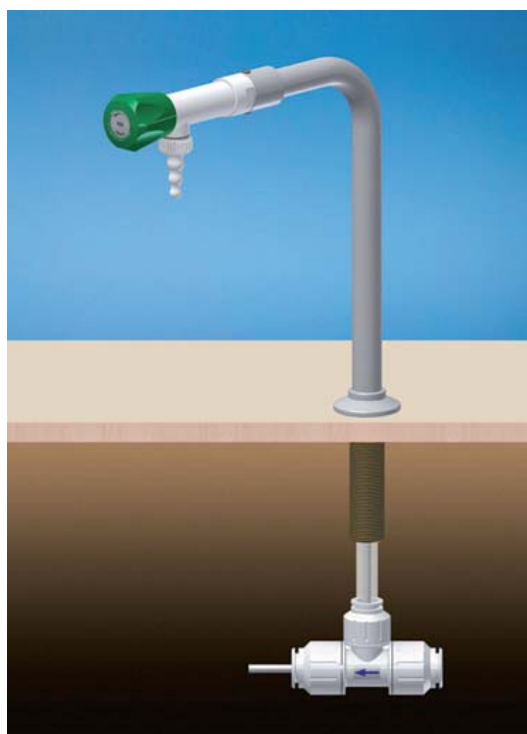
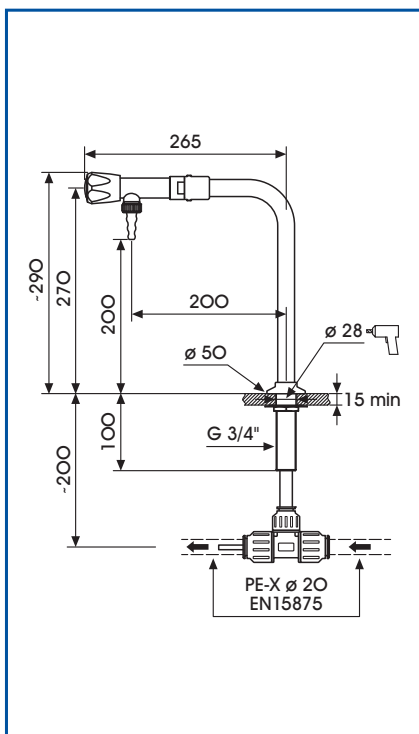
# PLASTIC CONTROLS FOR SPECIAL WATERS



**298** PP ANGLE TAP, REMOVABLE NOZZLE, WALL MOUNTED, 1/4" PE TUBE INLET, SPECIAL WATER HEADWORK



**6299** PP BIB TAP, REMOVABLE NOZZLE, BENCH MOUNTED, 1/4" PE TUBE INLET, SPECIAL WATER HEADWORK



**295** PP RECIRCULATING BIB TAP, REMOVABLE NOZZLE, BENCH MOUNTED, PE LINED COLUMN, DN20 PUSH-FIT PE INLET, SPECIAL WATER HEADWORK

Designed for applications where fully recirculation of special waters is required to avoid stagnant water and to prevent bacteria build-up. Adjustable mounting connection for easy installation.

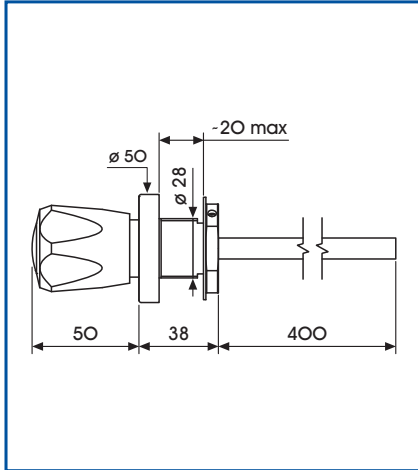


# FRONT CONTROL VALVES

WATER: Compression headwork  
 GAS: Push-Turn ceramic headwork  
 OTHER GASES: Needle headwork  
 SPECIAL WATERS: Plastic-Ceramic headwork

Carlos Arboles, S.A. manufactures full range of valves and outlets for fume hoods, providing two different solutions depending on installation choice:

- Front control valve, threaded body with brazed copper tubes
- Front control valve, body with G 1/4" connections



## FRONT CONTROL VALVE, INLET AND OUTLET TUBE 10 x 1

1701 FOR WATER

Other options:

- Ceramic water headwork

1703 FOR GAS

1704 FOR VACUUM

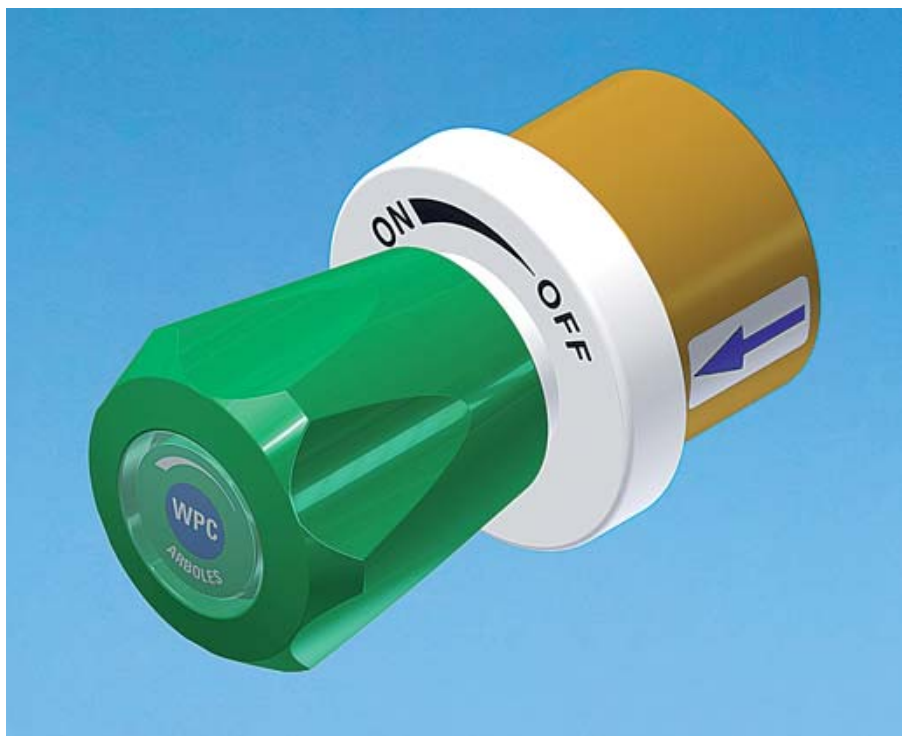
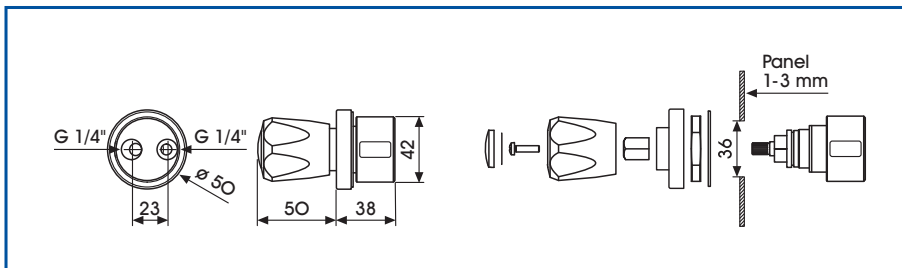
1705 FOR COMPRESSED AIR

1706 FOR OTHER PRESSURE  
GASES

(INDICATE GAS/FLUID)

1707 SS FOR SPECIAL WATERS

1708 FOR OXYGEN



## FRONT CONTROL VALVE, INLET AND OUTLET G 1/4" FEMALE

1711 FOR WATER

Other options:

- Ceramic water headwork

1713 FOR GAS

1714 FOR VACUUM

1715 FOR COMPRESSED AIR

1716 FOR OTHER PRESSURE  
GASES

(INDICATE GAS/FLUID)

1717 SS FOR SPECIAL WATERS

1719 PP FOR SPECIAL WATERS

1718 FOR OXYGEN



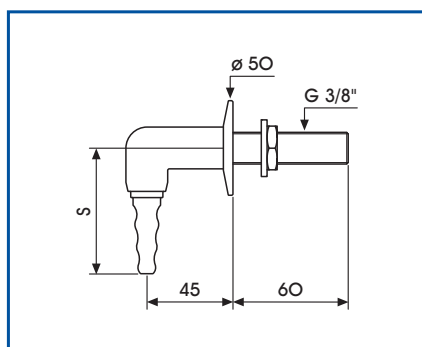
# CARLOS ARBOLES S.A

ООО «ТИ-СИСТЕМС» ИНЖИНИРИНГ И ПОСТАВКА ТЕХНОЛОГИЧЕСКОГО ОБОРУДОВАНИЯ

Интернет: [www.tisys.ru](http://www.tisys.ru) [www.tisys.kz](http://www.tisys.kz) [www.tisys.by](http://www.tisys.by) [www.tesec.ru](http://www.tesec.ru) [www.ти-системс.рф](http://www.ти-системс.рф)

Телефоны: +7 (495) 7774788, 7489626, 5007155, 54 Эл. почта: [info@tisys.ru](mailto:info@tisys.ru) [info@tisys.kz](mailto:info@tisys.kz) [info@tisys.by](mailto:info@tisys.by)

# FRONT CONTROL OUTLETS



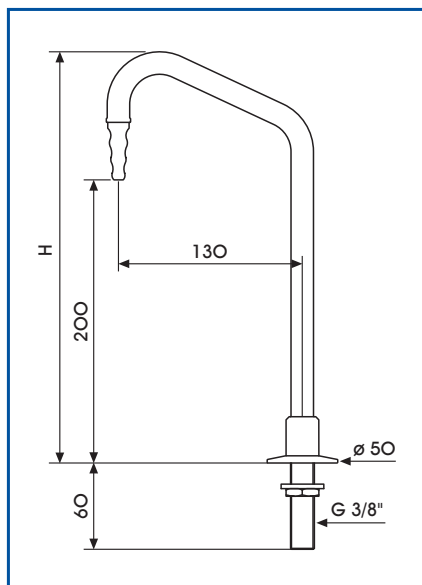
**BENCH/WALL MOUNTED  
OUTLET, FOR ALL SERVICES**  
(INDICATE GAS /FLUID)

**6709** FIXED NOZZLE

S=65 mm

**6714** REMOVABLE NOZZLE

S=70 mm



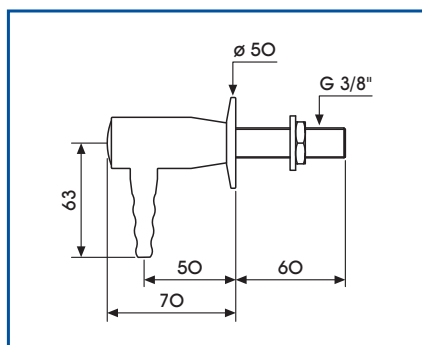
**FIXED SWANNECK FOR WATER**

**6710** FIXED NOZZLE

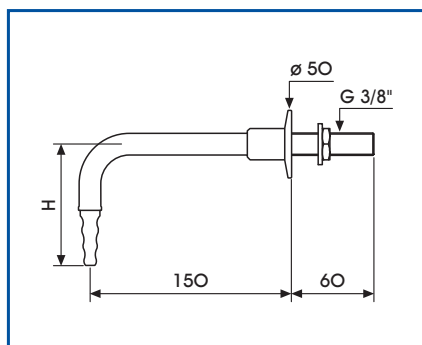
H=290 mm

**6711** REMOVABLE NOZZLE

H=295 mm



**6715** BENCH/WALL MOUNTED  
OUTLET FOR ALL SERVICES  
(INDICATE GAS /FLUID)



**WALL MOUNTED OUTLET**

**6706** FIXED NOZZLE OUTLET

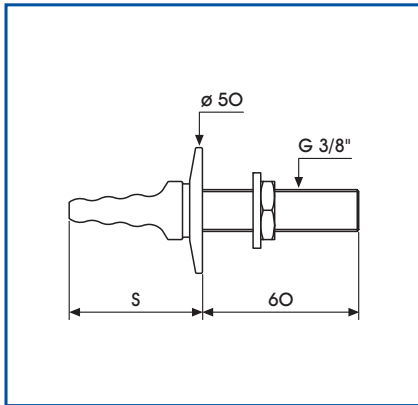
**6716** REMOVABLE NOZZLE

**726** PP OUTLET WITH  
REMOVABLE NOZZLE  
INLET G 3/8" x 12 mm  
MALE H=60 mm



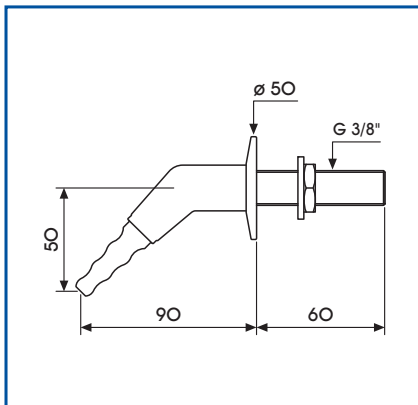


# FRONT CONTROL OUTLETS



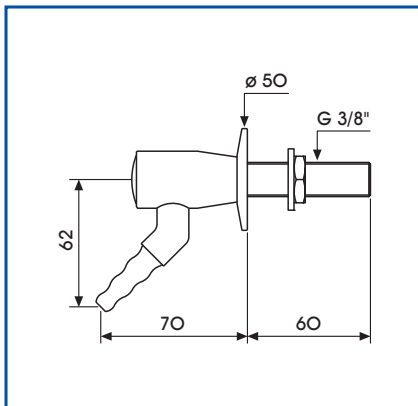
**WALL MOUNTED OUTLET  
FOR ALL SERVICES**  
(INDICATE GAS/FLUID)

- 6708** FIXED NOZZLE OUTLET
- 6718** REMOVABLE NOZZLE OUTLET

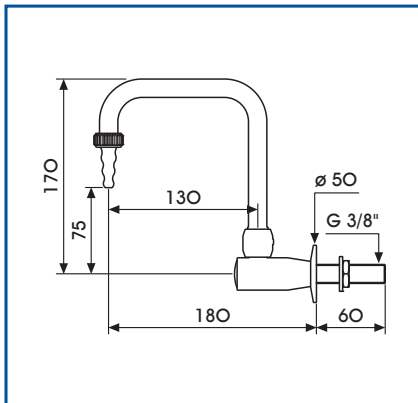


**WALL MOUNTED OUTLET AT  
45° FOR ALL SERVICES**  
(INDICATE GAS/FLUID)

- 6712** FIXED NOZZLE OUTLET
- 6722** REMOVABLE NOZZLE OUTLET



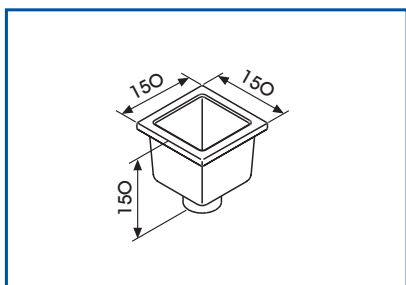
**6732** WALL MOUNTED  
OUTLET AT 45°,  
FIXED NOZZLE FOR  
ALL SERVICES  
(INDICATE GAS/FLUID)



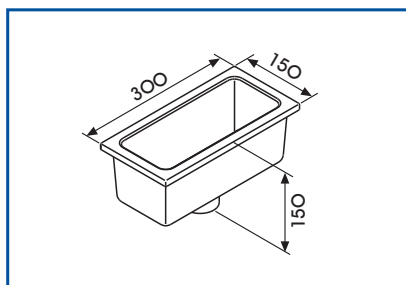
**6736** SWIVEL SWANNECK  
WATER OUTLET,  
WALL MOUNTED,  
REMOVABLE NOZZLE



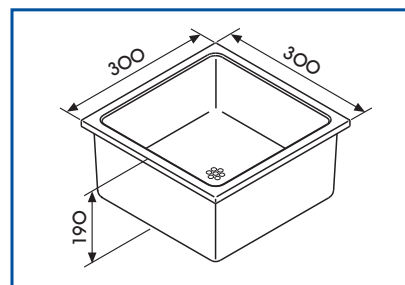
# CERAMIC SINKS



**135 CERAMIC SINK 150 x 150 mm**  
OUTLET DIAMETER 60 mm

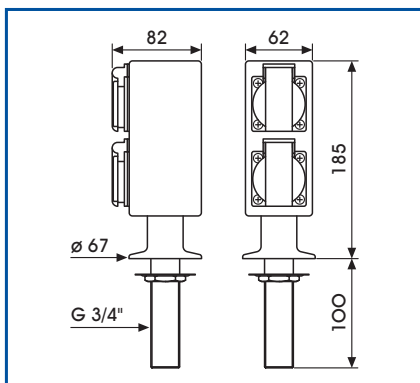


**136 CERAMIC SINK 300 x 150 mm**  
OUTLET DIAMETER 60 mm



**137 CERAMIC SINK 300 x 300 mm**  
OUTLET DIAMETER 60 mm

# ELECTRIC SOCKETS

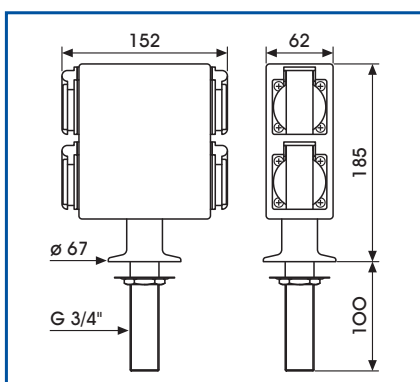


## BENCH SOCKET ONE SIDE

### 901 TWO GANG SCHUKO

Other options:

- TWO GANG UK BS1363
- TWO GANG USA NEMA5-15
- ONE GANG Ethernet RJ45



## BENCH SOCKET TWO SIDES

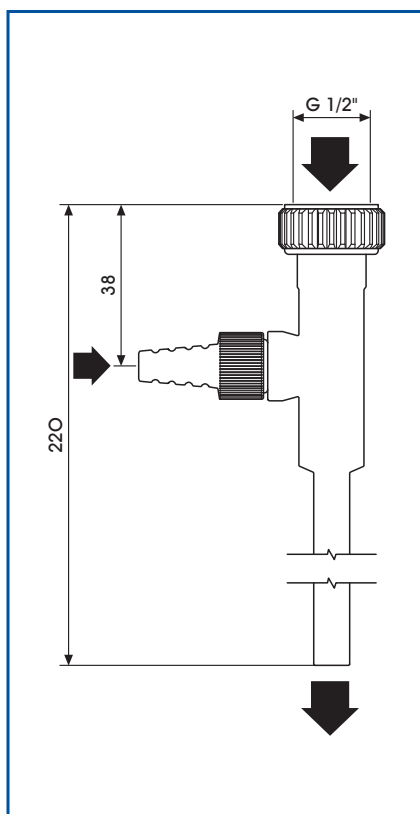
### 902 FOUR GANG SCHUKO

Other options:

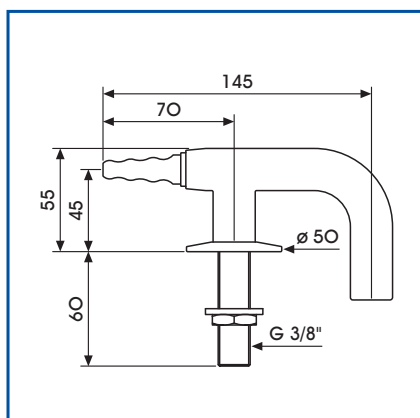
- FOUR GANG UK BS1363
- FOUR GANG USA NEMA5-15
- ONE GANG Ethernet RJ45



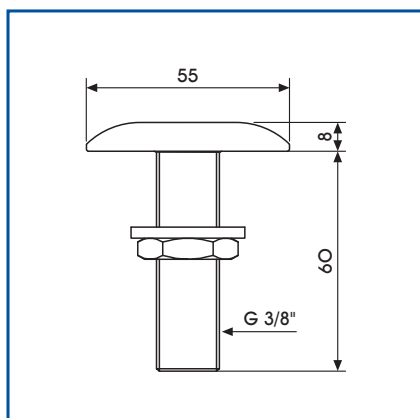
# ACCESSORIES



**133** WATER JET VACUUM PUMP WITH ANTI SPLASH OUTLET



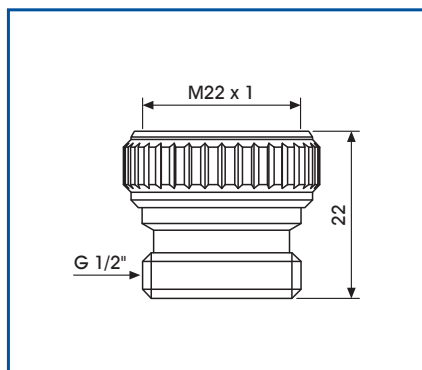
**WASTE FOR HOSE**  
**6134** FIXED NOZZLE INLET  
**6138** REMOVABLE NOZZLE



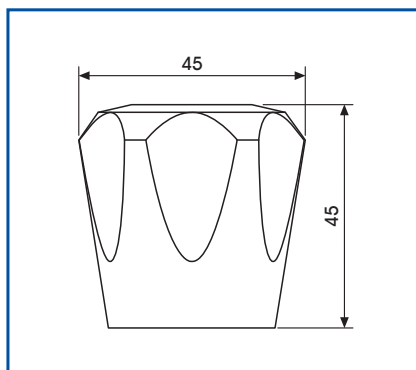
**6970** BLIND FLANGE  
 17-22 mm



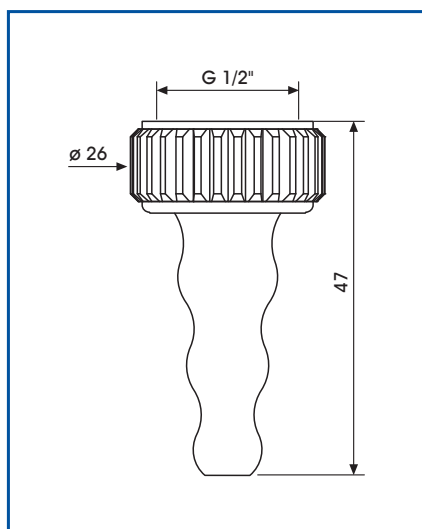
# SPARE PARTS



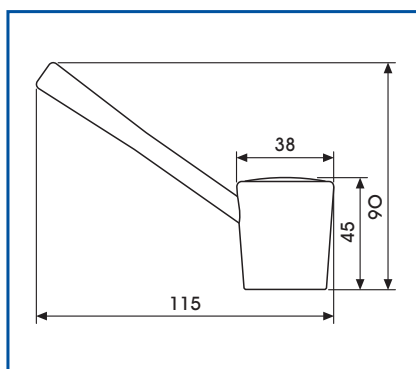
**891161**  
NIPPLE M22 x 1  
G 1/2"



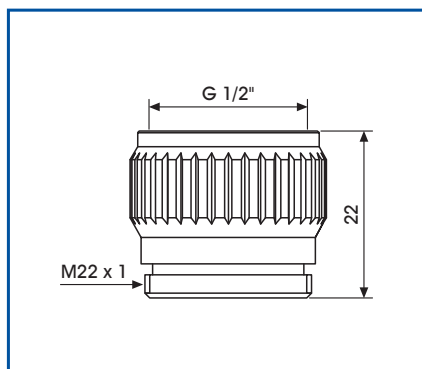
**960200**  
STANDARD ABS  
HANDLE  
(INDICATE  
GAS/FLUID)



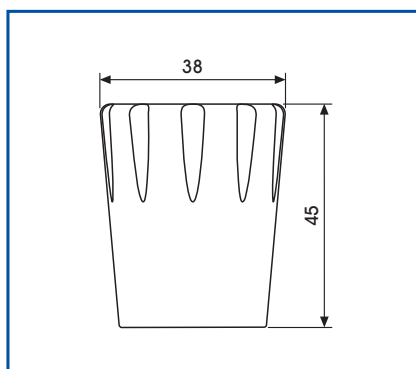
**130**  
REMOVABLE  
NOZZLE G 1/2"



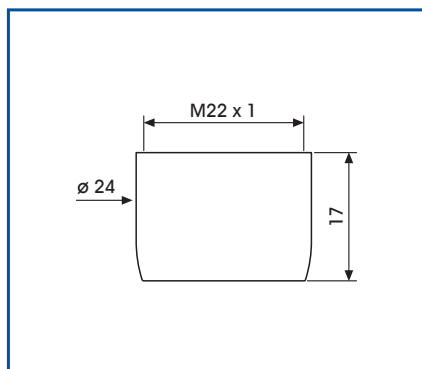
**190002**  
WRIST LEVER



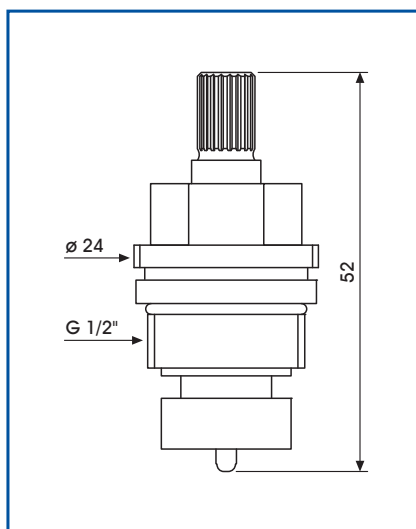
**131**  
NIPPLE G 1/2"  
M22 x 1



**960180**  
POLYPROPYLENE  
HANDLE  
(INDICATE  
GAS/FLUID)



**147**  
AERATOR  
M22 x 1



**HEADWORKS**  
**950148**  
COMPRESSION  
WATER  
**950149**  
CERAMIC  
WATER  
**950139**  
CERAMIC HOT  
WATER  
(LEFT WRIST LEVER)  
**950150**  
PUSH TURN GAS  
**950151**  
SPECIAL WATERS  
**950131**  
NEEDLE VALVE



# DIRECTORY

CODE	PAGE	CODE	PAGE	CODE	PAGE	CODE	PAGE
115	12	6140	12	6601	21	6881	23
116	12	6141	12	6602	21	6882	23
130	32	6142	12	6603	21	6883	23
131	32	6155	12	6622	24	6884	22
133	31	6156	12	6684	22	6888	22
135	30	6157	12	6706	28	6955	9
136	30	6160	13	6708	29	6970	31
137	30	6161	13	6709	28	190002	32
147	32	6162	13	6710	28	800031 AR	20
295	26	6170	13	6711	28	800031 NN	20
298	26	6171	13	6712	29	800032 AR	20
310	14	6172	13	6714	28	800032 NN	20
311	14	6190	13	6715	28	800033 AR	20
312	14	6191	13	6716	28	800033 NN	20
320	14	6192	13	6718	29	800034 AR	20
726	28	6198	25	6721	8	800034 NN	20
812	13	6199	25	6722	29	800035 AR	16
813	13	6201	7	6731	15	800035 NN	16
814	13	6202	7	6732	29	800036 AR	16
901	30	6203	7	6736	29	800036 NN	16
902	30	6216	11	6741	22	891161	32
955	9	6222	11	6751	22	950131	32
1701	27	6232	18	6761	22	950139	32
1703	27	6242	24	6781	22	950148	32
1704	27	6252	24	6801	21	950149	32
1705	27	6262	24	6802	8	950150	32
1706	27	6282	24	6803	21	950151	32
1707	27	6284	8	6808	21	960180	32
1708	27	6299	26	6810	9	960200	32
1711	27	6301	19	6815	10		
1713	27	6302	19	6816	10		
1714	27	6303	19	6817	10		
1715	27	6304	19	6818	9		
1716	27	6322	18	6822	24		
1717	27	6384	15	6831	17		
1718	27	6401	21	6832	17		
1719	27	6402	21	6833	17		
6101	5	6403	21	6838	16		
6102	5	6416	11	6841	23		
6103	5	6422	24	6842	23		
6104	5	6432	18	6843	23		
6105	5	6442	24	6848	22		
6106	5	6452	24	6851	23		
6107	5	6462	24	6852	23		
6120	6	6482	24	6853	23		
6122	6	6484	22	6858	22		
6124	6	6501	21	6861	23		
6126	6	6502	21	6862	23		
6128	7	6503	21	6863	23		
6134	31	6522	24	6868	22		
6138	31	6584	22	6870	9		



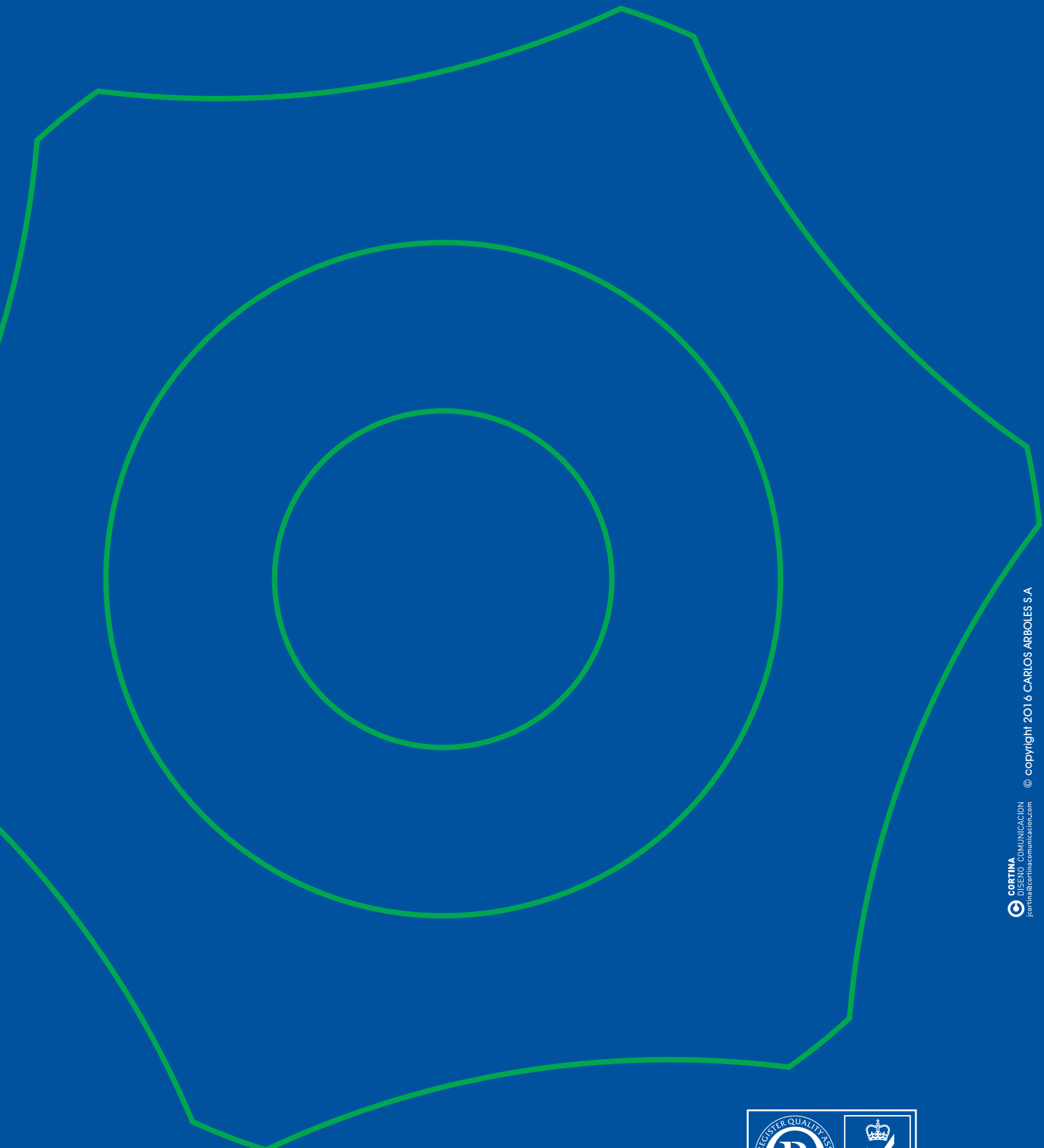
## CARLOS ARBOLES S.A

ООО «ТИ-СИСТЕМС» ИНЖИНИРИНГ И ПОСТАВКА ТЕХНОЛОГИЧЕСКОГО ОБОРУДОВАНИЯ

Интернет: [www.tisys.ru](http://www.tisys.ru) [www.tisys.kz](http://www.tisys.kz) [www.tisys.by](http://www.tisys.by) [www.tesec.ru](http://www.tesec.ru) [www.ти-системс.рф](http://www.ти-системс.рф)

Телефоны: +7 (495) 7774788, 7489626, 5007155, 54 Эл. почта: [info@tisys.ru](mailto:info@tisys.ru) [info@tisys.kz](mailto:info@tisys.kz) [info@tisys.by](mailto:info@tisys.by)





© COPINA  
DIRECCIÓN COMUNICACION  
|continua.elforincomunicacion.com  
© copyright 2016 CARLOS ARBOLES S.A



CGG.I.2016



# CARLOS ARBOLES S.A

ООО «ТИ-СИСТЕМС» ИНЖИНИРИНГ И ПОСТАВКА ТЕХНОЛОГИЧЕСКОГО ОБОРУДОВАНИЯ  
Интернет: [www.tisys.ru](http://www.tisys.ru) [www.tisys.kz](http://www.tisys.kz) [www.tisys.by](http://www.tisys.by) [www.tesec.ru](http://www.tesec.ru) [www.ти-системс.рф](http://www.ти-системс.рф)  
Телефоны: +7 (495) 7774788, 7489626, 5007155, 54 Эл. почта: [info@tisys.ru](mailto:info@tisys.ru) [info@tisys.kz](mailto:info@tisys.kz) [info@tisys.by](mailto:info@tisys.by)